

MQ 80P

USER MANUAL
MANUALE D'USO
BEDIENUNGSANLEITUNG

DIFFUSORE COMPATTO
A DUE VIE PER INTERNO/
ESTERNO AD ALTA
EFFICIENZA E DIRETTIVITÀ
CONTROLLATA

TWO-WAY HI-EFFICIENCY
DIRECTIVITY CONTROLLED
COMPACT INDOOR /
OUTDOOR SPEAKER SYSTEM

HOCHEFFIZIENTER
ZWEIWEGE-
KOMPAKTLAUTSPRECHER
MIT KONTROLLIERTER
RICHTWIRKUNG
FÜR INNEN- UND
AUSSENANWENDUNGEN



**IMPORTANT NOTES**

Before connecting and using this product, please read this instruction manual carefully and keep it on hand for future reference. The manual is to be considered an integral part of this product and must accompany it when it changes ownership as a reference for correct installation and use as well as for the safety precautions.

RCF S.p.A. will not assume any responsibility for the incorrect installation and / or use of this product.

WARNING: To prevent the risk of fire or electric shock, never expose this loudspeaker to rain or humidity and dust, but the case this has been expressly designed and made to get a suitable IP protection grade (indicated in the product specifications).

SAFETY PRECAUTIONS

1. All the precautions, in particular the safety ones, must be read with special attention, as they provide important information.

2. Loudspeaker lines (amplifier outputs) can have a sufficiently high voltage (i.e. 100 V) to involve a risk of electrocution: never install or connect this loudspeaker when the line is alive.

3. Make sure all connections have been made correctly and the loudspeaker input voltage (in a constant voltage system) or its impedance is suitable for the amplifier output.

4. Protect loudspeaker lines from damage; make sure they are positioned in a way that they cannot be stepped on or crushed by objects.

5. Make sure that no objects or liquids can get into this product, as this may cause a short circuit.

6. Never attempt to carry out any operations, modifications or repairs that are not expressly described in this manual.

Contact your authorized service centre or qualified personnel should any of the following occur:

- the loudspeaker does not function (or works in an anomalous way);
- the cable has been damaged;
- objects or liquids have got into the unit;
- the loudspeaker has been damaged due to heavy impacts / fire.

7. Should the loudspeaker emit any strange odours or smoke, remove it from the line after having switched the amplifier off.

8. Do not connect this product to any equipment or accessories not foreseen. For suspended installation, only use the dedicated anchoring points and do not try to hang this loudspeaker by using elements that are unsuitable or not specific for this purpose.

Also check the suitability of the support surface to which the product is anchored (wall, ceiling, structure, etc.), and the components used for

IMPORTANT NOTES**WARNING**

attachment (screw anchors, screws, brackets not supplied by RCF etc.), which must guarantee the security of the system / installation over time, also considering, for example, the mechanical vibrations normally generated by transducers.

9. RCF S.p.A. strongly recommends this product is only installed by professional qualified installers (or specialised firms) who can ensure a correct installation and certify it according to the regulations in force.

The entire audio system must comply with the current standards and regulations regarding electrical systems.

10. There are numerous mechanical and electrical factors to be considered when installing a professional audio system (in addition to those which are strictly acoustic, such as sound pressure, angles of coverage, frequency response, etc.).

11. HEARING LOSS

Exposure to high sound levels can cause permanent hearing loss. The acoustic pressure level that leads to hearing loss is different from person to person and depends on the duration of exposure. To prevent potentially dangerous exposure to high levels of acoustic pressure, anyone who is exposed to these levels should use adequate protection devices. When a transducer capable of producing high sound levels is being used, it is therefore necessary to wear ear plugs or protective earphones.

See the technical specifications in the instruction manual for the maximum sound pressure the loudspeaker is capable of producing.

12. To ensure a correct musical reproduction, loudspeaker phase is to be respected (loudspeakers are connected respecting the amplifier polarity). This is important when loudspeakers are installed adjacent one another, for instance, in the same room.

13. To prevent inductive effects from causing hum, noise and a bad system working, loudspeaker lines should not be laid together with other electric cables (mains), microphone or line level signal cables connected to amplifier inputs.

14. The loudspeaker cable shall have wires with a suitable section (twisted, if possible, to reduce inductive effects due to surrounding electro-magnetic fields) and a sufficient electrical insulation.

OPERATING PRECAUTIONS

- Install this loudspeaker far from any heat source.
- Do not overload this product for extended periods of time.
- Never force the control elements (keys, knobs, etc.).
- Do not use solvents, alcohol, benzene or other volatile substances for cleaning the external parts of this product.
- If the speaker is used in particularly cold places, drive it with a low signal for 5-10 minutes before using it at maximum power.

OPERATING PRECAUTIONS

RCF S.P.A. WOULD LIKE TO THANK YOU FOR HAVING PURCHASED THIS PRODUCT, WHICH HAS BEEN DESIGNED TO GUARANTEE RELIABILITY AND HIGH PERFORMANCE.

DESCRIPTION



MQ 80P is a two way horn-loaded speaker system that belongs to MONITOR Q series. Its high quality, high efficiency and compact design make it the ideal solution to get clear voice and music reproduction in mid-size environments. It is suitable for both paging and background music.

Thanks to its 90°x 60° directivity, it can be combined into clusters of two or three pieces to get wide and smooth coverage and to reduce the installation points.

It is suitable for both indoor and (after closing the reflex ports) outdoor installations (IP 55). The woofer is a high-excursion, epoxy coated paper cone – rubber surround design mounted in a tuned enclosure (port can be sealed for outdoor installation).

The tweeter is a horn-loaded compression driver with phase plug. Its installation is quick thanks to the unique bracket with several fixing points and aiming facilities.

Electrical connections are made by means of a bipolar cable.

Wattage taps (and 8-ohm operation) are selectable by means of a rotary switch accessible under a sealed cover.

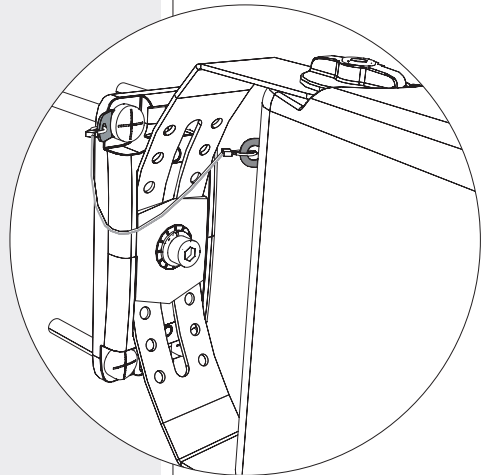
The enclosure is constructed of high density UV resistant polystyrene with a stainless steel grill.

MQ 80P is available in three colours: white (MQ 80P-W), black (MQ 80P-B).

INSTALLATION NOTES

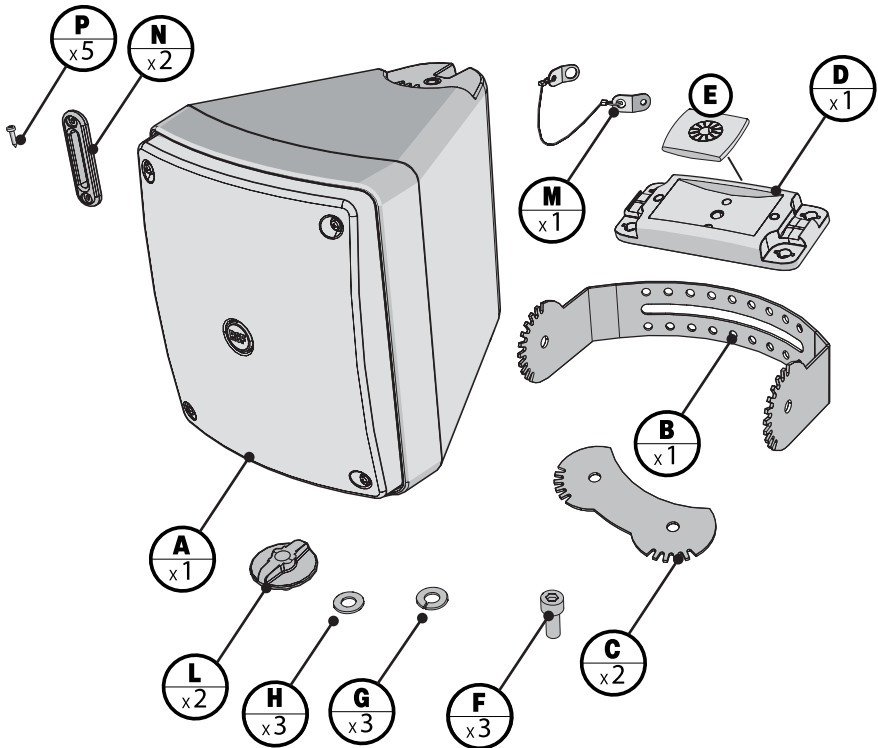


Loudspeakers are to be installed by qualified personnel, respecting all safety standards. Loudspeakers are to be installed securely. Make sure the support structure (walls / ceilings) has the necessary mechanical characteristics for the loudspeaker weight, without the risk of a fall that could damage things or cause an injury. Fix steel safety cables to loudspeakers. Use attachment elements suitable for walls / ceilings (e.g. screw anchors for bricks, screw anchors for concrete, etc.).





- **A** loudspeaker MQ 80P
 - **B** "U" bracket
 - **C** linking support (x 2)
 - **D** complete mounting accessory (with a bolt) for the "U" bracket +
 - **E** plastic plate
 - **F** bolt (x3)
 - **G** washer (x3)
 - **H** washer (x3)
 - **L** round knob / bolt (x 2)
 - **M** safety steel cable
 - **N** reflex plug (x 2)
 - **P** screw (x5)
- THE DRILLING TEMPLATE IS IN THIS MANUAL

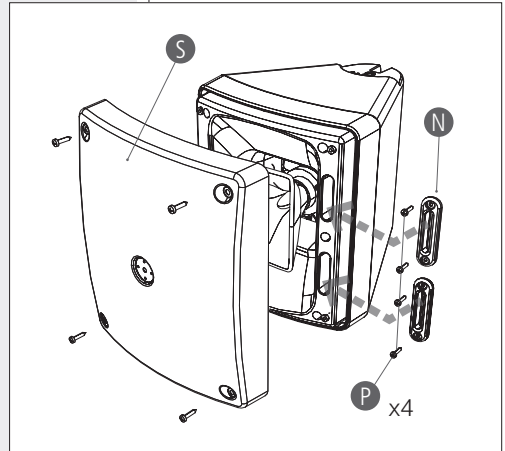


INDOOR / OUTDOOR



As default, MQ 80P is a bass-reflex loudspeaker for indoor use. Yet, it can be also used outdoor (protection grade: IP 55) if adapted as a closed box:

- Take off the loudspeaker grille **S** by removing the four screws.
- Cover the two reflex ports (holes) by mounting the two plugs with rubber packings **N**, each to be fixed with two thread-forming screws **P**.
- Re-mount the loudspeaker grille **S**.



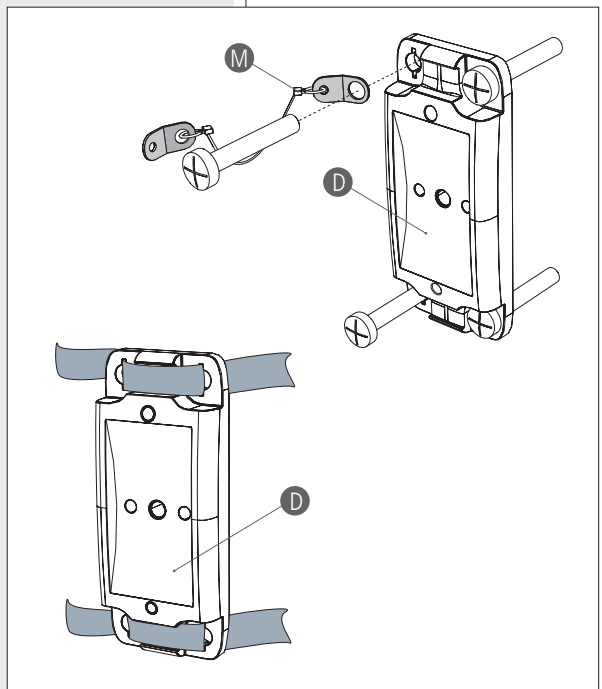
SINGLE LOUDSPEAKER INSTALLATION



A single loudspeaker can be installed to a wall either horizontally (coverage angle: 90° hor. x 60° vert.) or vertically (60° hor. x 90 vert.).

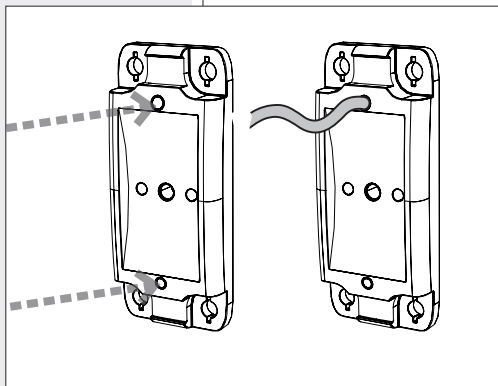
First fix the mounting accessory **D** to the wall through four M8 screws (not included, as these shall be chosen according to their support). Fix the steel safety cable to the mounting accessory (by using a screw) **M**.

If the loudspeaker is installed vertically, the mounting accessory **D** can be also fixed to a pole by using two (up and down) clamping 13 mm (or 1/2", 12.7 mm) stainless steel bands.



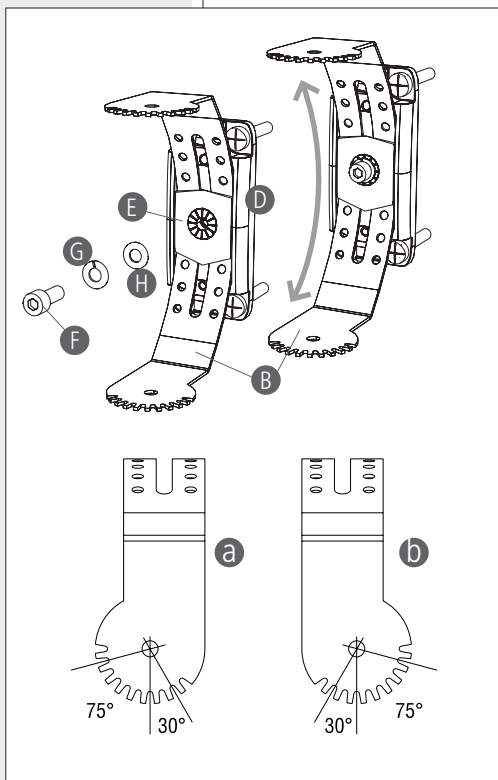
To get a weatherproof electrical connections and reduce the visible / external part of the loudspeaker cable (1 m long), this can pass through the "U" bracket, the mounting accessory hole (to be opened by pressing the plastic in one of the two available points) and its back seat, then inserted into the wall niche* (behind the mounting accessory) that houses electrical connections.

*It must be weatherproof in outdoor applications

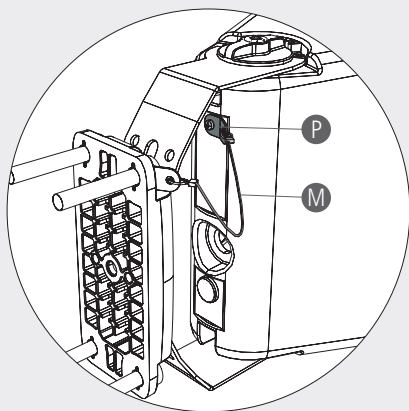


Put the "U" **B** bracket on the mounting accessory **D** and choose the right vertical* aiming angle ($\pm 30^\circ$; each hole is a 7.5° step), then fix it by tightening the bolt **F** through the dedicated plastic plate **E** and washer **G** and **H**.

The "U" bracket allows a horizontal* loudspeaker aiming either 30° to the right / 75° to the left **a** or 75° to the right / 30° to the left **b**, according to its position. Every step is about 15° .

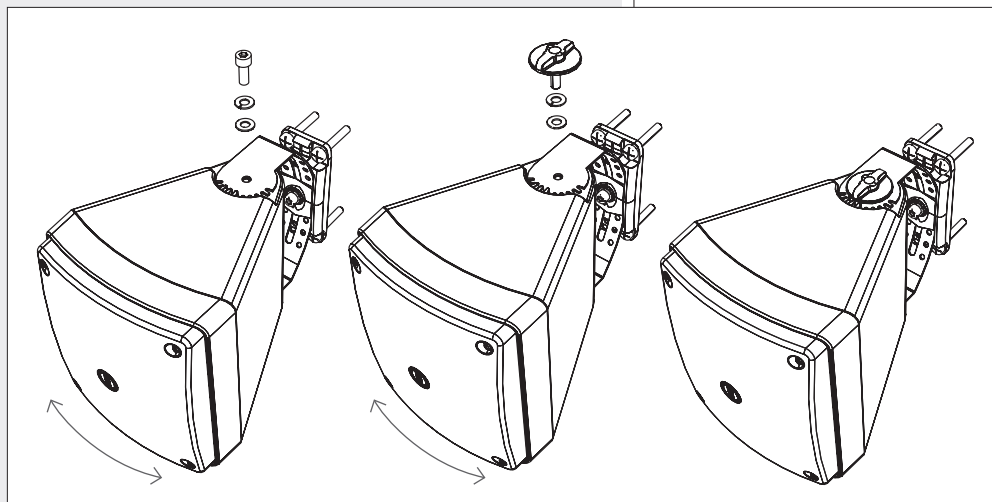


* NOTE: ASSUMING THE LOUDSPEAKER IS INSTALLED VERTICALLY.



Use a screw **P** to fix the safety steel cable **M** as shown in this example.

Insert the loudspeaker into the "U" bracket, aim it to the proper direction and fix it by tightening the two round knobs **L** or two bolts **F** (up and down), through the washers **G** and **H**. Bolts **F** are strongly suggested for outdoor installations.



TWO LOUDSPEAKER CLUSTER

NOTE: FOR SAFETY REASONS, THE CLUSTER SHALL BE MADE HORIZONTALLY ONLY (BY PUTTING TOGETHER TWO LOUDSPEAKERS IN VERTICAL POSITION).



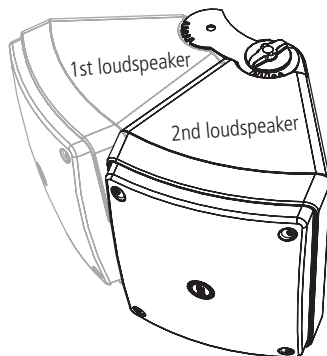
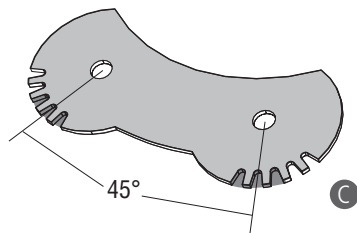
Install the mounting accessory and the "U" bracket (see the previous paragraph "Single loudspeaker installation")

It is necessary to use two linking supports (up and down) to make the two loudspeaker cluster.

To fix the two loudspeakers and get the optimal 45° angle between their axes (in order to get an uniform coverage), use the three spaces between teeth (of both sides, here pointed out in grey) closer to the centre.

Fix the two linking supports **C** (up and down) by tightening the two round knobs or the two bolts to the (second) loudspeaker that will not be directly mounted on the "U" bracket.

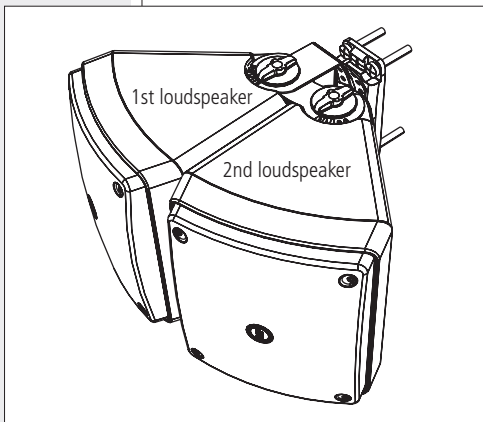
Always place the washers **G** and **H** as previously indicated.



Mount the cluster to the "U" bracket by tightening other two round knobs or bolts to fix the first loudspeaker, and the two linking supports (with the second loudspeaker). Pay attention to the cluster horizontal aiming.

Fix the safety steel cables (previously attached to the mounting accessory screws) to loudspeakers

If necessary, loosen (just a little bit) the two round knobs / bolts of the second loudspeaker momentarily, in order to allow an easier insertion of the two linking supports on the first loudspeaker (then make sure all knobs are tightened properly).



THREE LOUDSPEAKER CLUSTER

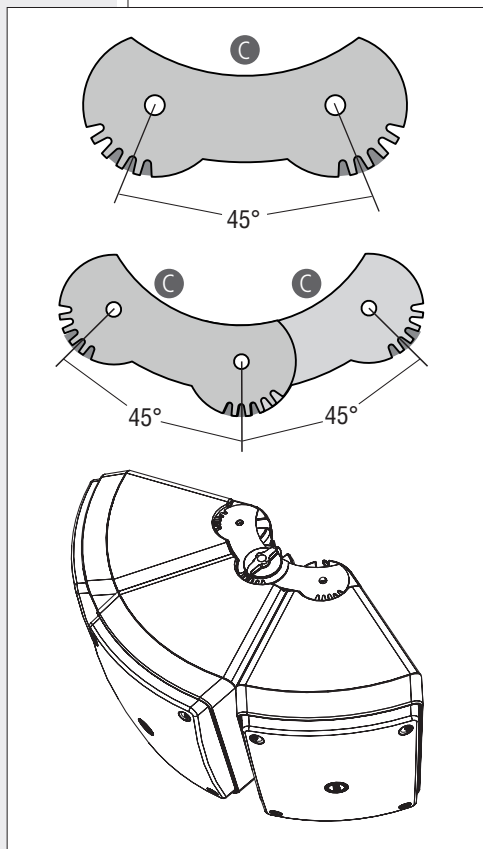
NOTE: FOR SAFETY REASONS, THE CLUSTER SHALL BE MADE HORIZONTALLY ONLY (BY PUTTING TOGETHER THREE LOUDSPEAKERS IN VERTICAL POSITION).



It is necessary to use four linking supports **C** (two up and two down) to make the three loudspeaker cluster.

To get the 45° angle between the two loudspeaker axes, use the three spaces between teeth (of both sides, here pointed out in grey) closer to the centre of the linking support.

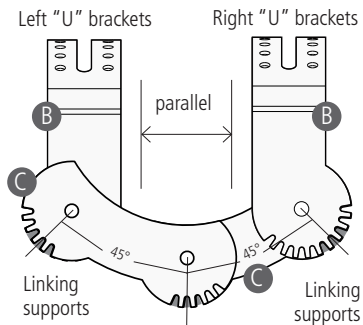
Put together two linking supports, in order to get a 45° angle between the left and the central loudspeaker, a 45° angle between the central and the right loudspeaker.



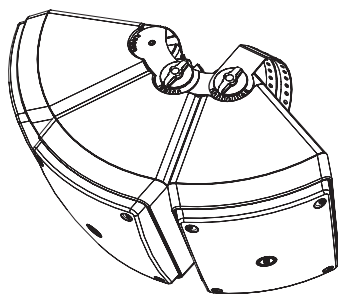
Make the cluster by putting the three loudspeakers together and fix the central one (and the four linking supports) by tightening two round knobs / bolts (up and down).

The cluster shall be wall-mounted by using two "U" brackets (in this example: the left "U" bracket is under the linking support, the right "U" bracket is on the linking support).

Both the "U" brackets are to be mounted parallel to the central loudspeaker axis: pay attention to the three spaces between teeth to be used (in this example, pointed out in grey in the right "U" brackets).



First mount the "U" bracket (the right one in this example) on the linking support and tighten the relevant two (up and down) round knobs / bolts.

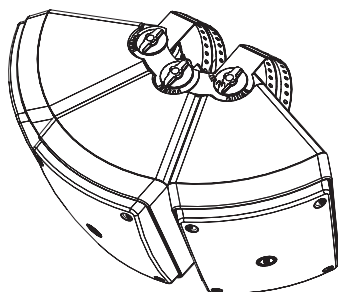


Then add the other "U" bracket (the left one in this example) under the linking support and tighten the relevant two (up and down) round knobs / bolts.

Loosen (just a little bit) the two round knobs / bolts of the central loudspeaker momentarily, in order to allow an easier insertion of the "U" bracket.

Then, make sure all knobs are tightened properly.

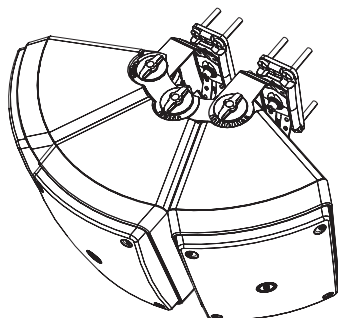
Always place the washers **G** and **H** as previously indicated.



Now the cluster is ready to be fixed to the two wall-mounted accessories by tightening the two bolts.

NOTE: THE TWO MOUNTING ACCESSORIES ARE TO BE INSTALLED TO A WALL RESPECTING THE FIXED DISTANCE (CA. 117 MM) BETWEEN THEIR AXES.

At the end of this manual, a drilling template is provided to simplify the installation of the two mounting accessories. Then the 3 safety steel cables (previously attached to the mounting accessory screws) can be fixed to the loudspeakers.





WARNING: loudspeaker connections should be only made by qualified and experienced personnel having the technical know-how or sufficient specific instructions (to ensure that connections are made correctly) in order to prevent any electrical danger.

To prevent any risk of electric shock, do not connect loudspeakers when the amplifier is switched on.

Before turning the system on, check all connections and make sure there are no accidental short circuits.

The entire sound system shall be designed and installed in compliance with the current local laws and regulations regarding electrical systems.

If the loudspeaker is installed outdoor (IP 55), all electrical connections shall be inside weatherproof boxes / wall niches.

Connect its white wire to the line coming from the amplifier 100 V output (or 70 V); connect its black wire to line coming from the amplifier common output (or 0, b, —).

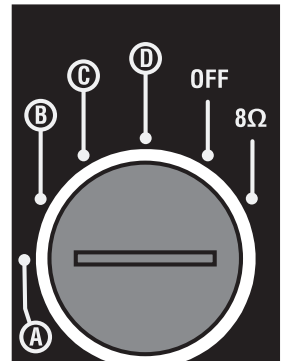
The internal transformer allows the connection to 100 V (/ 70 V) constant voltage lines and the power selection (during the installation) among 30 W, 20 W, 10 W, 5 W (half power if using 70 V lines). It is possible to select the low impedance (8 Ω) connection as well.

The power selection is made (by using a screw driver) through a rotary commutator, which is normally protected by a rubber cover (that must be removed momentarily).

Once the selector has been tapped, insert the rubber cover again.



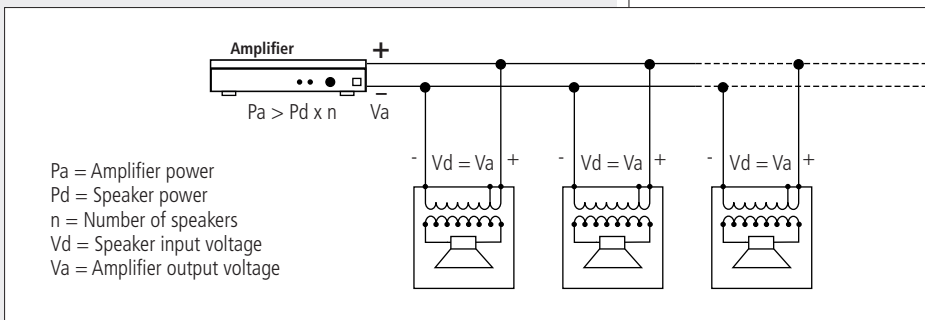
A	5 W (100 V)	2.5 W (70 V)
B	10 W (100 V)	5 W (70 V)
C	20 W (100 V)	10 W (70 V)
D	30 W (100 V)	15 W (70 V)
OFF	not connected	
8 Ω	Impedance: 8 Ω	



NOTES ABOUT CONSTANT VOLTAGE SYSTEMS



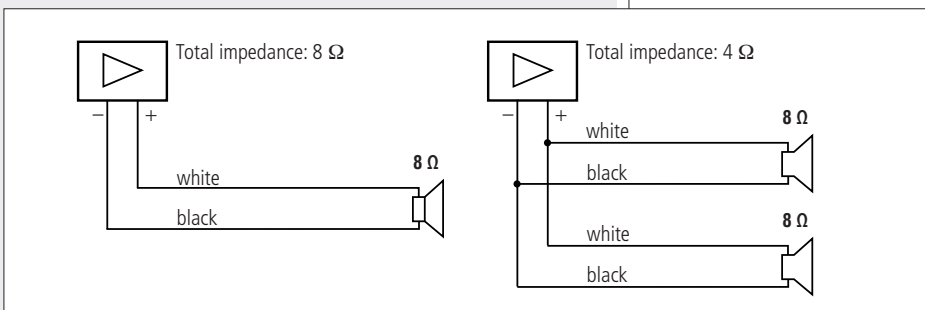
- The loudspeaker input voltage (V_d) must correspond to the amplifier output voltage (V_a).
- The sum of nominal power values ($P_d \times n$) of all loudspeakers connected to the line must not exceed the amplifier power (P_a).
- Make sure all loudspeakers are connected in phase to ensure a correct audio reproduction.



NOTES ABOUT LOW IMPEDANCE CONNECTIONS



- The total loudspeaker impedance must not be lower than the amplifier output impedance.
NOTE: A LOUDSPEAKER TOTAL IMPEDANCE EQUAL TO THE AMPLIFIER OUTPUT ONE PERMITS TO GET THE MAXIMUM DELIVERABLE POWER (BUT AN HIGHER LOUDSPEAKER IMPEDANCE ENTAILS LESS POWER).
- The total loudspeaker power shall be adequate for the maximum deliverable power of the amplifier.
- The loudspeaker line shall be short (for long distances, it may be necessary to use cables with large cross-section wires).





- Always use cables having wires with an adequate cross-section, considering the cable length and the total loudspeaker power.
- Loudspeaker lines must be kept separated from mains cables, microphone cables or others, in order to avoid inductive phenomena may cause hum or noises.
- Use loudspeaker cables with twisted wires to reduce hum caused by inductive effects due to coupling with electromagnetic fields.
- Do NOT use the 8 Ω setting when loudspeakers are connected to 100 / 70 V lines.

SPECIFICATIONS



TYPE	- two-way bass reflex (indoor) - two-way sealed (outdoor, IP 55), by adding the provided protections
LOUDSPEAKERS	- controlled directivity horn loaded 5" woofer - controlled directivity horn loaded 1" compression driver.
SENSITIVITY	94 dB (1 W / 1 m)
MAX. SOUND PRESSURE (MUSICAL POWER)	114 dB
POWER (BYPASS)	60 W (RMS) / 120 W (musical)
INPUT VOLTAGE	100 – 70.7 V
NOMINAL IMPEDANCE	8 Ω (bypass) 333 Ω (30 W – 100 V; 15 W – 70.7 V) 500 Ω (20 W – 100 V; 10 W – 70.7 V) 1 k Ω (10 W – 100 V; 5 W – 70.7 V) 2 k Ω (5 W – 100 V; 2.5 W – 70.7 V)
FREQUENCY RESPONSE (-10 dB)	(-10 dB) 100 Hz \pm 20 kHz
CROSSOVER FREQUENCY	3 kHz
COVERAGE ANGLE:	90° horizontal x 60° vertical (single horizontal installation)
CABINET MATERIAL	high-density polystyrene
DIMENSIONS (W X H X D)	190 x 220 x 250 mm
COLOUR	Black / White
WEIGHT	3 kg

**IMPORTANTE**

Prima di collegare ed utilizzare questo prodotto, leggere attentamente le istruzioni contenute in questo manuale, il quale è da conservare per riferimenti futuri. Il presente manuale costituisce parte integrante del prodotto e deve accompagnare quest'ultimo anche nei passaggi di proprietà, per permettere al nuovo proprietario di conoscere le modalità d'installazione e d'utilizzo e le avvertenze per la sicurezza.

L'installazione e l'utilizzo errati del prodotto esimono la RCF S.p.A. da ogni responsabilità.

ATTENZIONE: Per prevenire i rischi di fiamme o scosse elettriche, non esporre il diffusore alla pioggia o all'umidità ed alle polveri, salvo il caso in cui questo sia stato espressamente progettato e costruito con un grado di protezione IP adeguato (evidenziato nella documentazione tecnica del dispositivo).

AVVERTENZE PER LA SICUREZZA

1. Tutte le avvertenze, in particolare quelle relative alla sicurezza, devono essere lette con particolare attenzione, in quanto contengono importanti informazioni.

2. La linea diffusori (uscita dell'amplificatore) può avere una tensione sufficientemente alta (es. 100 V) da costituire un rischio di folgorazione per le persone: **non procedere mai all'installazione o alla connessione del diffusore quando la linea diffusori è in tensione.**

3. Assicurarsi che tutte le connessioni siano corrette e che la tensione d'ingresso (in un sistema a tensione costante) oppure l'impedenza del diffusore sia compatibile con le caratteristiche d'uscita dell'amplificatore.

4. Accertarsi che la linea diffusori non possa essere calpestata o schiacciata da oggetti, al fine di salvaguardarne la perfetta integrità.

5. Impedire che oggetti o liquidi entrino all'interno del prodotto, perché potrebbero causare un corto circuito.

6. Non eseguire sul prodotto interventi / modifiche / riparazioni se non quelle espressamente descritte sul manuale istruzioni.

Contattare centri di assistenza autorizzati o personale altamente qualificato quando:

- Il diffusore non funziona (o funziona in modo anomalo);
- il cavo è danneggiato;
- oggetti o liquidi sono entrati nel diffusore;
- il diffusore non è più integro (a causa di urti / incendio).

7. Nel caso che dal diffusore provengano odori anomali o fumo, **togliere immediatamente la tensione dalla linea diffusori e poi scollegare il diffusore.**

8. Non collegare a questo diffusore apparecchi ed accessori non previsti.

IMPORTANTE**ATTENZIONE**

Quando è prevista l'installazione sospesa, utilizzare solamente gli appositi punti di ancoraggio e non cercare di appendere il diffusore con elementi non idonei o previsti allo scopo.

Verificare inoltre l'idoneità del supporto (parete, soffitto, struttura ecc.) e dei componenti utilizzati per il fissaggio (tasselli, viti, staffe non fornite da RCF ecc.) che devono garantire la sicurezza dell'impianto / installazione nel tempo, anche considerando, ad esempio, vibrazioni meccaniche normalmente generate da un trasduttore.

9. La RCF S.p.A. raccomanda vivamente che l'installazione di questo prodotto sia eseguita solamente da installatori professionali qualificati (oppure da ditte specializzate) in grado di farla correttamente e certificarla in accordo con le normative vigenti. Tutto il sistema audio dovrà essere in conformità con le norme e le leggi vigenti in materia di impianti elettrici.

10. Vi sono numerosi fattori meccanici ed elettrici da considerare quando si installa un sistema audio professionale (oltre a quelli prettamente acustici, come la pressione sonora, gli angoli di copertura, la risposta in frequenza, ecc.).

11. PERDITA DELL'UDITO

L'esposizione ad elevati livelli sonori può provocare la perdita permanente dell'udito. Il livello di pressione acustica pericolosa per l'udito varia sensibilmente da persona a persona e dipende dalla durata dell'esposizione. Per evitare un'esposizione potenzialmente pericolosa ad elevati livelli di pressione acustica, è necessario che chiunque sia sottoposto a tali livelli utilizzi delle adeguate protezioni; quando si fa funzionare un trasduttore in grado di produrre elevati livelli sonori è necessario indossare dei tappi per orecchie o delle cuffie protettive.

Consultare i dati tecnici contenuti nel manuale istruzioni per conoscere la massima pressione sonora che il diffusore acustico è in grado di produrre.

12. I diffusori devono essere collegati in fase (corrispondenza delle polarità +/- tra amplificatori e diffusori) in modo da garantire una corretta riproduzione audio, soprattutto quando i diffusori sono collocati in posizione fra loro adiacente o nello stesso ambiente.

13. Per evitare che fenomeni induttivi diano luogo a ronzii, disturbi e compromettano il buon funzionamento dell'impianto, le linee diffusori non devono essere canalizzate insieme ai conduttori dell'energia elettrica, ai cavi microfonici, alle linee di segnale a basso livello che fanno capo ad amplificatori.

14. Il cavo per il collegamento del diffusore dovrà avere conduttori di sezione adeguata (possibilmente intrecciati, per minimizzare gli effetti induttivi dovuti all'accoppiamento con campi elettro-magnetici circostanti) ed un isolamento idoneo.

PRECAUZIONI D'USO

- Collocare il diffusore lontano da fonti di calore.
- Non forzare mai gli organi di comando (tasti, manopole ecc.).
- Non usare solventi, alcool, benzina o altre sostanze volatili per la pulizia delle parti esterne.
- Se il diffusore viene utilizzato in ambienti particolarmente freddi, pilotarlo con un segnale a basso livello per 5-10 minuti, prima di utilizzarlo alla massima potenza.

PRECAUZIONI D'USO

RCF S.P.A. VI RINGRAZIA PER L'ACQUISTO DI QUESTO PRODOTTO, REALIZZATO IN MODO DA GARANTIRNE L'AFFIDABILITÀ E PRESTAZIONI ELEVATE.

DESCRIZIONE

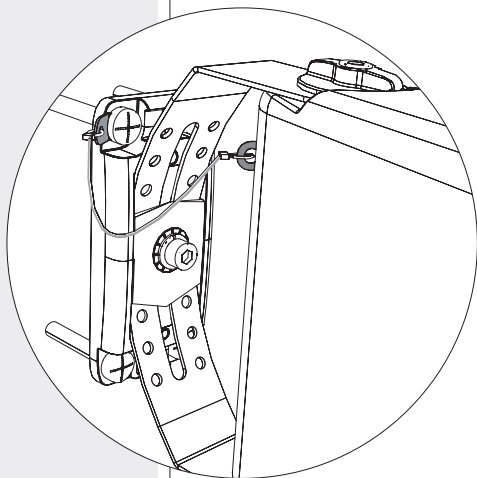


MQ 80P è un diffusore a due vie (con caricamento a tromba) che fa parte della serie MONITOR Q. La sua qualità, l'alta efficienza e le dimensioni compatte ne fanno la soluzione ideale per ottenere una buona fedeltà della voce e della musica in ambienti di medie dimensioni; è adatto sia per la diffusione di annunci sia per la riproduzione della musica di sottofondo. Grazie alla sua direttività di 90°x 60°, il diffusore MQ 80P può essere combinato in un "cluster" (gruppo di diffusori installati insieme nello stesso punto e disposti a grappolo / ventaglio) di due o tre pezzi, in modo da ottenere una copertura ampia ed uniforme e ridurre i punti d'installazione. Può essere installato sia in ambienti chiusi sia (dopo aver chiuso le "porte reflex") all'aperto (con grado di protezione: IP 55). Il woofer è ad alta escursione con cono rivestito in resina epossidica ed il bordo in gomma, montato in una cassa di tipo "bass reflex", la quale può essere convertita in una cassa chiusa e stagna (chiudendo le due porte reflex) per l'uso all'aperto. Il tweeter è un driver a compressione caricato a tromba con rifasatore. L'installazione è rapida grazie alla staffa originale con diversi punti di fissaggio corrispondenti ad angolazioni diverse; il collegamento elettrico si effettua tramite un cavo bipolare. La selezione della potenza (e della modalità ad impedenza costante 8 ohm) si effettua tramite un commutatore rotativo (posto sotto un tappo di protezione). Il mobile è costruito in polistirene ad alta densità, resistente ai raggi UV e corredato di una griglia d'acciaio inox. MQ 80P è disponibile in tre colori: bianco (MQ 80P-W); nero (MQ 80P-B).

NOTE SULL'INSTALLAZIONE



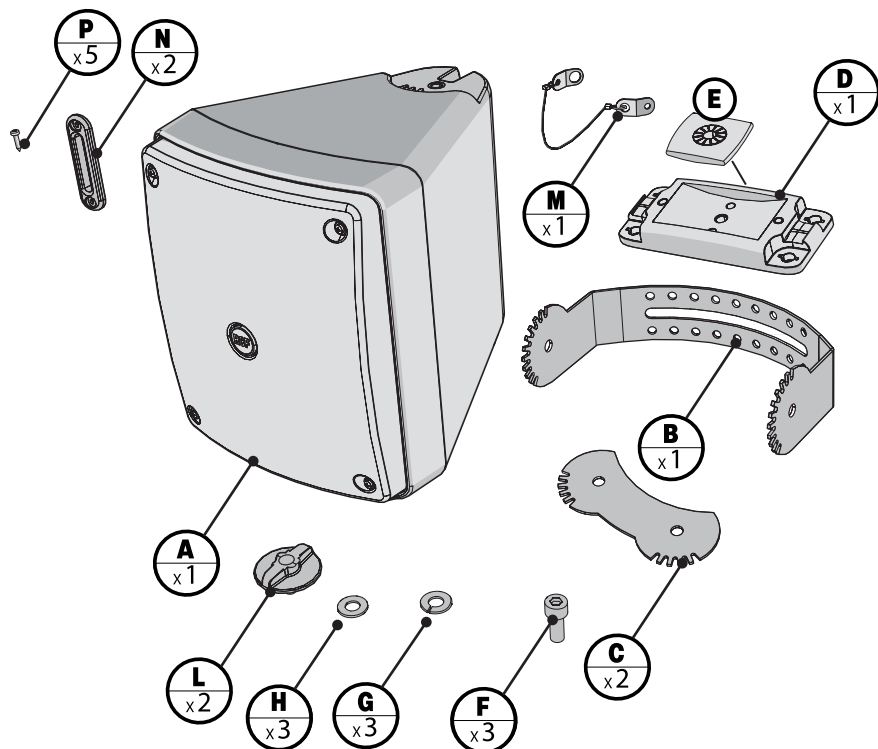
L'installazione dei diffusori deve essere effettuata da personale qualificato, rispettando gli standard di sicurezza. Eseguire un'installazione sicura di ogni diffusore, controllando che la struttura di supporto (es. parete, soffitto, ecc.) abbia le necessarie caratteristiche meccaniche, tali da consentirgli di sopportarne il peso senza il pericolo di cadute che potrebbero compromettere l'incolumità di cose o persone. Fissare i cavi di sicurezza in acciaio ai diffusori. Utilizzare elementi di fissaggio adatti al tipo di struttura che deve sostenere i diffusori (es. tasselli per mattoni forati, tasselli per calcestruzzo, ecc.).





- **A** diffusore MQ 80P
- **B** staffa ad "U"
- **C** staffa di collegamento (x 2)
- **D** accessorio per il montaggio
(con bullone della staffa a "U"+
- **E** fermo
- **F** bulloni (x3)
- **G** rondelle elastiche (x3)
- **H** rondelle piane (x3)
- **L** manopole con bullone (x 2)
- **M** cavo di sicurezza in acciaio
- **N** tappo per porta reflex (x 2)
- **P** viti (x5)

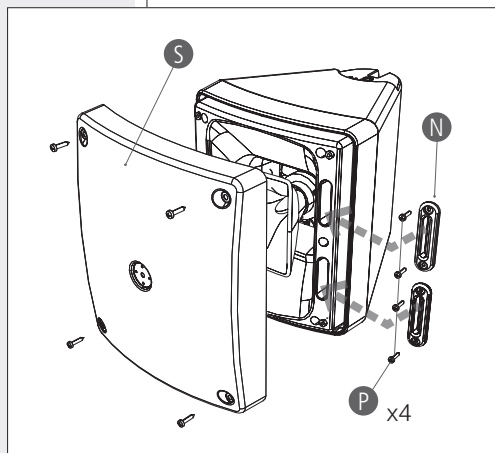
LA DIMA DI FORATURA È IN QUESTO MANUALE.





Il diffusore MQ 80P è normalmente di tipo bass-reflex e predisposto per il solo uso interno; tuttavia, può inoltre essere usato all'esterno o in ambienti molto umidi (con grado di protezione IP 55) se adattato come "cassa chiusa":

- Rimuovere la griglia di protezione **S** svitando le quattro viti;
- Coprire le due porte reflex (i fori) usando i due tappi con guarnizione in gomma **N**, ciascuno dei quali va fissato con due viti autofilettanti **P**;
- Rimontare la griglia **S**.



INSTALLAZIONE DI UN SINGOLO DIFFUSORE

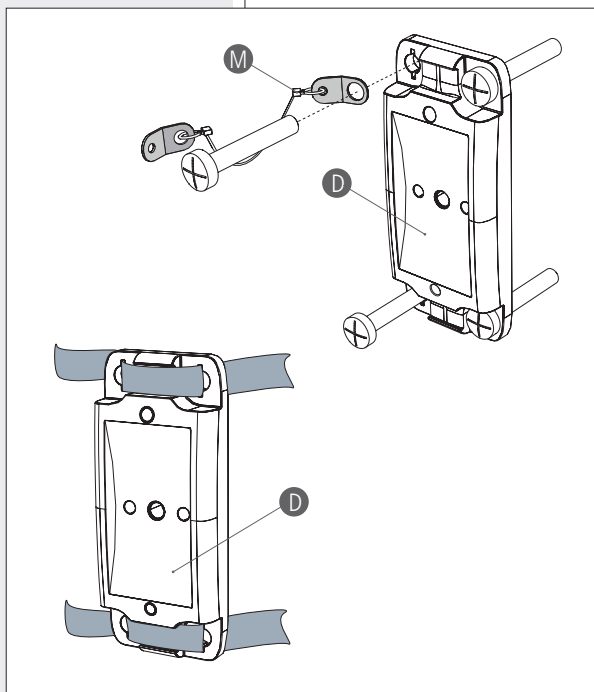


Un diffusore singolo può essere installato a parete sia orizzontalmente (angolo di copertura: 90° orizz. x 60° vert.) oppure verticalmente (60° orizz. x 90° vert.).

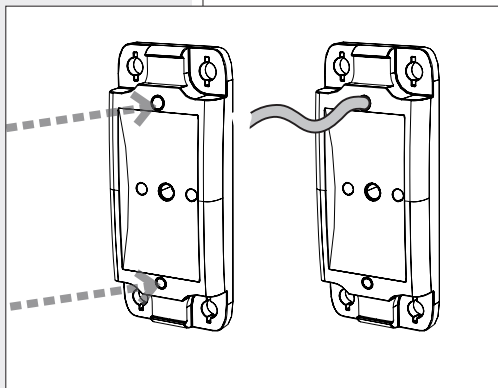
Installare a muro l'accessorio per il montaggio **D** tramite quattro viti M8 (non incluse, in quanto devono essere scelte in base alla superficie di fissaggio).

Ad una delle viti, fissare il cavo di sicurezza in acciaio **M**.

Se il diffusore è installato verticalmente, l'accessorio per il montaggio **D** può essere fissato ad un palo tramite due fascette d'acciaio inox larghe 13 mm.

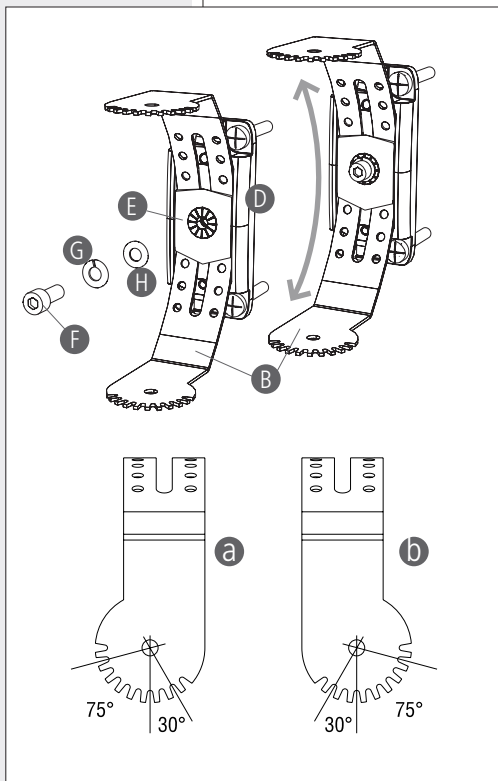


Il cavo del diffusore (lunghezza: 1 m) può passare attraverso la staffa a "U", un foro (apribile facendo pressione su uno dei due punti indicati qui a lato) e la sede posteriore dell'accessorio di montaggio, per raggiungere una nicchia / scatola eventualmente a tenuta stagna incassata nel muro, in modo da ottenere una connessione elettrica ben protetta dall'acqua e ridurre la parte esterna visibile del cavo.

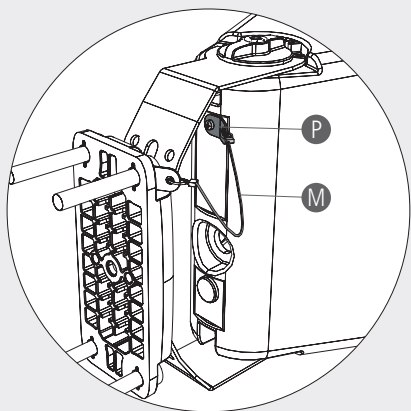


Mettere la staffa ad "U" **B** sull'accessorio per il montaggio **D** e scegliere l'inclinazione verticale* più adatta ($\pm 30^\circ$; ogni foro corrisponde ad un incremento di 7.5°), poi fissarla posizionando il fermo in plastica **E** e stringendo il bullone **F** interponendo le rondelle **G** e **H** come in figura.

La staffa a "U" consente un'inclinazione orizzontale* di 30° verso destra / 75° verso sinistra **a** oppure 75° verso destra / 30° verso sinistra **b**, secondo com'è installata. Ogni dente, da incastrare con il riferimento sul diffusore, corrisponde ad una inclinazione di circa 15° .



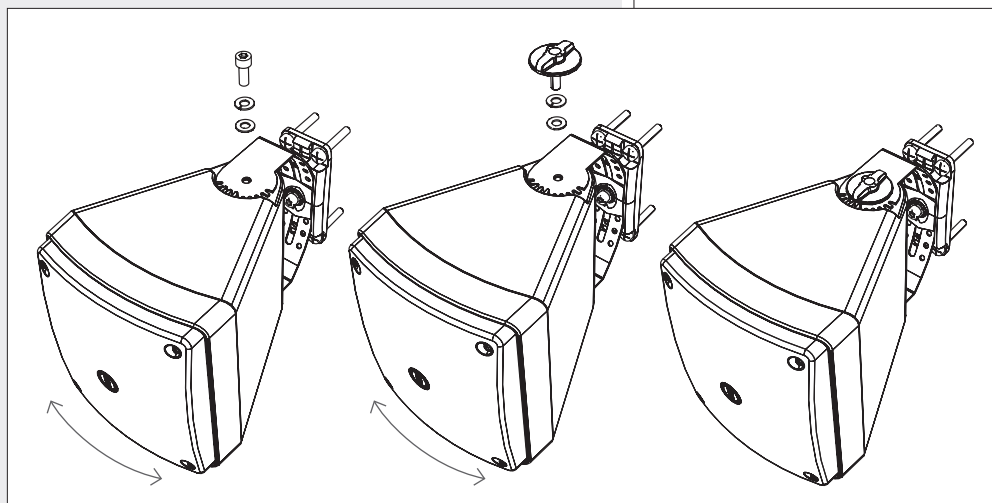
* NOTA: SUPPONENDO CHE IL DIFFUSORE SIA INSTALLATO VERTICALMENTE.



Use a screw **P** to fix the safety steel cable **M** as shown in this example.

Posizionare il diffusore nella staffa a "U", puntarlo nella giusta direzione e fissarlo stringendo le due manopole **L** oppure i due bulloni **F** (sopra e sotto), avendo cura di interporre le rondelle **G** e **H**.

L'utilizzo dei bulloni **F** è raccomandabile nelle installazioni all'aperto.



"CLUSTER" CON DUE DIFFUSORI



NOTA: PER MOTIVI DI SICUREZZA, IL CLUSTER È REALIZZABILE SOLO ORIZZONTALMENTE (UNENDO DUE DIFFUSORI POSTI IN POSIZIONE VERTICALE).

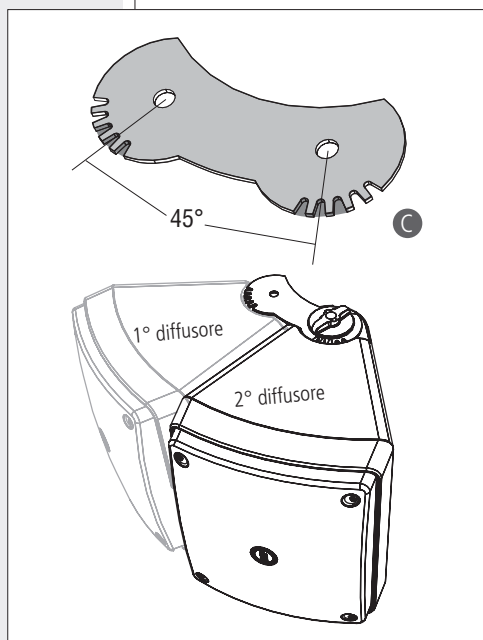


Installare l'accessorio di montaggio e la staffa a "U" (vedere il paragrafo precedente "Installazione di un singolo diffusore").

Per la realizzazione del cluster, devono essere utilizzate due staffe di collegamento (sopra e sotto).

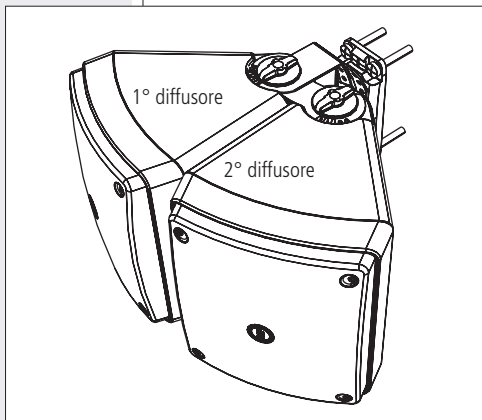
Per fissare i due diffusori mantenendo l'angolo ottimale di 45° tra i loro due assi (in modo da ottenere una copertura uniforme), usare i tre spazi tra i denti più vicini al centro (qui evidenziati in grigio su entrambi i lati).

Fissare le due staffe di collegamento **C** (sopra e sotto) al secondo diffusore (quello che non sarà direttamente fissato alla staffa a "U") stringendo le due manopole con bullone **L** (oppure i due bulloni **F**). Interporre sempre le due rondelle **G** e **H** rispettivamente elastica e piana, come descritto precedentemente.



Montare il cluster ottenuto alla staffa a "U" stringendo altre due manopole per fissare il primo diffusore, attaccando il cavo di sicurezza in acciaio (già fissato all'accessorio di montaggio a parete) e le due staffe di collegamento (con il secondo diffusore). Prestare attenzione all'orientamento del cluster.

Se necessario, allentare appena (momentaneamente) le due manopole del secondo diffusore, in modo da rendere più semplice l'inserzione delle due staffe di collegamento sul primo diffusore (poi serrare tutte le manopole o i bulloni).



"CLUSTER" CON TRE DIFFUSORI



NOTA: PER MOTIVI DI SICUREZZA, IL CLUSTER È REALIZZABILE SOLO ORIZZONTALMENTE (UNENDO TRE DIFFUSORI POSTI IN POSIZIONE VERTICALE)

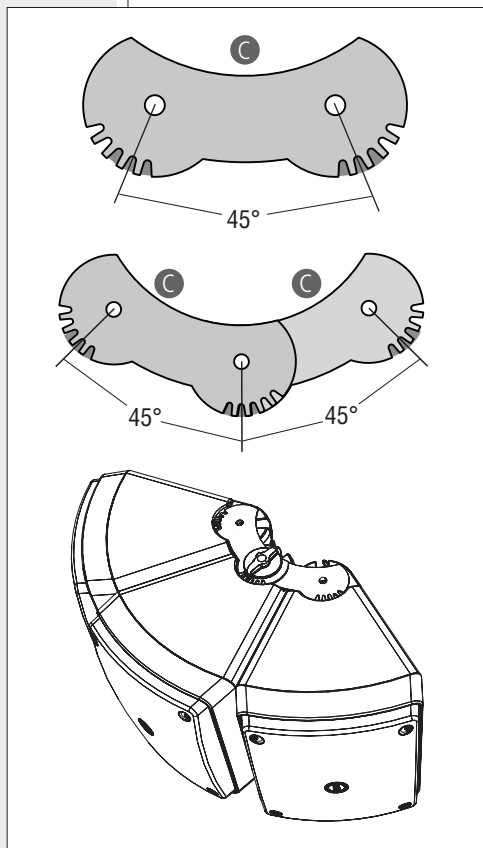


Per la realizzazione del cluster, devono essere utilizzate quattro staffe di collegamento **C** (due sopra e due sotto).

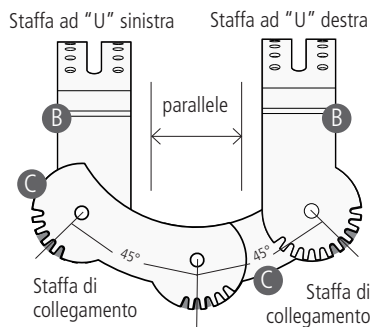
Per ottenere l'angolo di 45° tra gli assi di due diffusori, usare i tre spazi tra i denti più vicini al centro della staffa (qui evidenziati in grigio su entrambi i lati).

Unire due staffe di collegamento in modo da avere un angolo di 45° tra il diffusore sinistro e quello centrale, e 45° tra il diffusore centrale e quello destro.

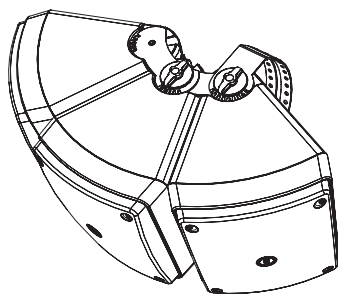
Formare il cluster unendo i tre diffusori e fissare quello centrale (e le quattro staffe di collegamento) stringendo due manopole **L** con bullone (sopra e sotto).



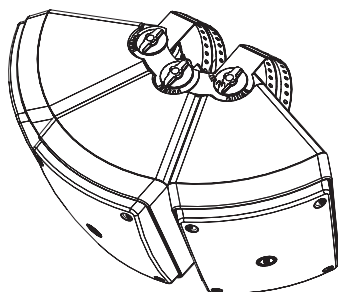
Il cluster deve essere installato a parete tramite due staffe a "U" (nell'esempio a lato: la staffa a "U" sinistra è sotto a quella di collegamento; la staffa a "U" destra è sopra quella di collegamento). Il disegno a lato mostra la disposizione superiore delle staffe; la stessa disposizione è da rispettare per il fissaggio inferiore delle staffe medesime.



Entrambe le staffe a "U" devono essere montate parallele all'asse del diffusore centrale: prestare attenzione ai tre spazi tra denti che devono essere usati (nell'esempio, evidenziati in grigio sulla staffa a "U" destra).



Montare la prima staffa a "U" (quella a destra nell'esempio qui raffigurato) sulla staffa di collegamento e stringere le relative due manopole o i bulloni (sopra e sotto).



Aggiungere successivamente l'altra staffa a "U" (nell'esempio, quella a sinistra) sotto la staffa di collegamento e stringere le altre due manopole.

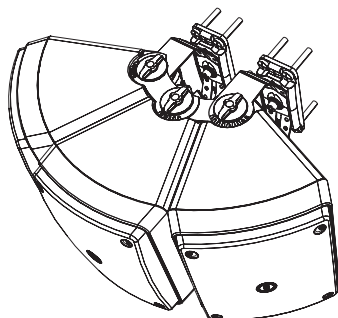
Allentare appena momentaneamente le due manopole poste sul diffusore centrale per permettere l'inserimento della staffa a "U", poi accertarsi che tutte le manopole siano ben serrate. Interporre sempre le rondelle G e H come al precedente paragrafo.

Il cluster si può ora fissare ai due accessori di montaggio (già installati a parete) stringendo i relativi bulloni.

Nota: i due accessori di montaggio devono essere installati ad una parete rispettando la distanza fissa (ca.117 mm) tra i loro assi.

Alla fine del manuale, è fornita una dima di foratura per facilitare il posizionamento e l'installazione dei due accessori di montaggio.

I 3 cavi di sicurezza in acciaio (precedentemente fissati alle viti degli accessori di montaggio) possono ora essere fissati ai diffusori posteriormente tramite le apposite viti P.





ATTENZIONE: per il collegamento del diffusore si raccomanda di rivolgersi a personale qualificato ed addestrato, ossia personale avente conoscenze tecniche o esperienza o istruzioni specifiche sufficienti per permettergli di realizzare correttamente le connessioni e prevenire i pericoli dell'elettricità. Per evitare il rischio di shock elettrici, non collegare il diffusore con l'amplificatore acceso. Prima di far funzionare il diffusore, è buona norma ricontrrollare tutte le connessioni, verificando attentamente che non vi siano dei cortocircuiti accidentali. Tutto l'impianto di sonorizzazione dovrà essere realizzato in conformità con le norme e le leggi vigenti in materia di impianti elettrici. Se il diffusore è installato all'aperto (dove si richiede la protezione IP 55), le connessioni elettriche devono essere poste all'interno di una scatola di protezione a tenuta stagna (oppure una nicchia incassata a parete).

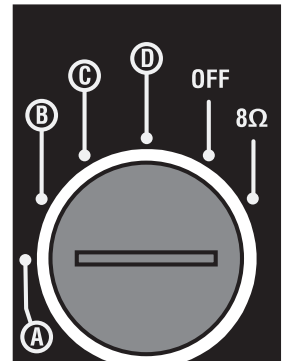


Collegare il filo bianco alla linea proveniente dall'uscita 100 V o (70V) dell'amplificatore; collegare il filo nero alla linea proveniente dall'uscita COM o (0) dell'amplificatore. Il trasformatore interno permette il collegamento a linee con tensione costante 100 V o (70 V) e la selezione della potenza (durante l'installazione) tra 30 W, 20 W, 10 W, 5 W (metà potenza utilizzando linee a 70 V). E' inoltre possibile selezionare la connessione a bassa impedenza (8 Ω).

La selezione della potenza è effettuata ruotando un commutatore sul pannello posteriore (normalmente protetto da un tappo di gomma rimovibile) tramite un cacciavite.

Una volta effettuata la selezione della potenza riposizionare accuratamente il tappo.

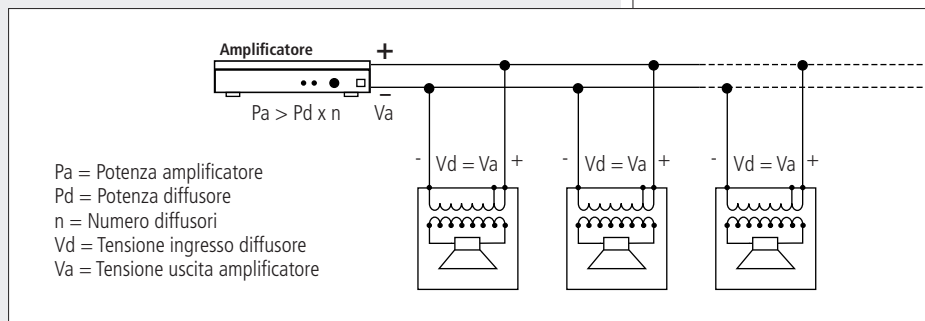
A	5 W (100 V)	2,5 W (70 V)
B	10 W (100 V)	5 W (70 V)
C	20 W (100 V)	10 W (70 V)
D	30 W (100 V)	15 W (70 V)
OFF	non connesso	
8 Ω	Impedenza: 8 Ω	



NOTE SUI SISTEMI A TENSIONE COSTANTE



- La tensione d'ingresso del diffusore (V_d) deve corrispondere con la tensione d'uscita dell'amplificatore (V_a).
- La somma delle potenze nominali di tutti i diffusori ($P_d \times n$) collegati alla linea non deve superare quella dell'amplificatore (P_a).
- Per garantire una corretta riproduzione audio, effettuare il collegamento di tutti i diffusori "in fase".



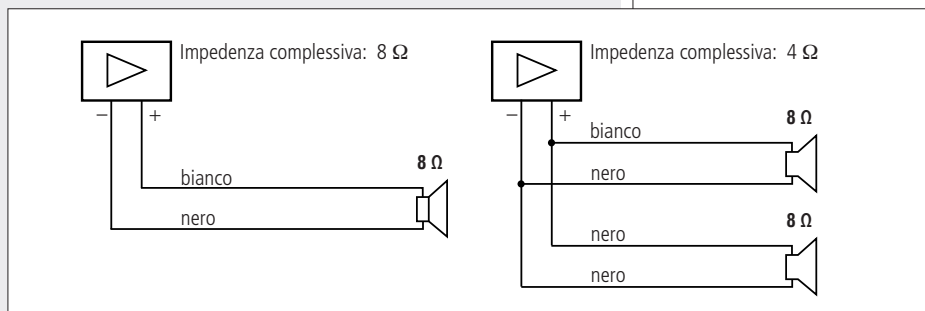
NOTE SUI SISTEMI CON CONNESSIONE A BASSA IMPEDENZA



- L'impedenza totale dei diffusori non deve essere inferiore a quella d'uscita dell'amplificatore;

NOTA: L'IMPEDENZA COMPLESSIVA DEI DIFFUSORI UGUALE A QUELLA D'USCITA DELL'AMPLIFICATORE PERMETTE L'EROGAZIONE DELLA MASSIMA POTENZA (MENTRE UN'IMPEDENZA SUPERIORE COMPORTA UNA RIDUZIONE DELLA POTENZA EROGATA).

- La somma delle potenze dei diffusori deve essere adeguata alla potenza massima erogabile dall'amplificatore.
- La lunghezza delle linee diffusori deve essere ridotta al minimo (una lunga distanza può comportare l'uso di cavi con sezioni elevate).





- Utilizzare dei cavi con conduttori aventi una sezione adeguata, considerando la loro lunghezza e la potenza complessiva dei diffusori.
- Per evitare che fenomeni induttivi diano luogo a ronzii, disturbi e compromettano il funzionamento del sistema, i cavi per i diffusori non devono essere canalizzati assieme ai conduttori dell'energia elettrica, ai cavi microfonici od altre linee.
- Per minimizzare gli effetti induttivi (ronzii) dovuti all'accoppiamento con campi elettromagnetici circostanti, utilizzare cavi con conduttori intrecciati.
- NON impostare nessun commutatore sulla posizione "8 Ω" quando i diffusori sono collegati a linee 100 / 70 V.

DATI TECNICI



TIPO	- due vie bass reflex (per interno) - due vie "cassa chiusa" (per esterno, IP 55), adattando il diffusore con le protezioni in dotazione
ALTOPARLANTI	- woofer 5" caricato a tromba (direttività controllata) - driver 1" caricato a tromba (direttività controllata)
SENSIBILITÀ	94 dB (1 W / 1 m)
MAX. PRESSIONE SONORA (POTENZA MUSICALE)	114 dB SPL
POTENZA (BYPASS)	60 W (RMS) / 120 W (musicale)
TENSIONE D'INGRESSO	100 – 70,7 V
IMPEDENZA NOMINALE	8 Ω (bypass) 333 Ω (30 W – 100 V; 15 W – 70,7 V) 500 Ω (20 W – 100 V; 10 W – 70,7 V) 1 kΩ (10 W – 100 V; 5 W – 70,7 V) 2 kΩ (5 W – 100 V; 2,5 W – 70,7 V)
RISPOSTA IN FREQUENZA (-10 dB)	100 Hz ÷ 20 kHz
FREQUENZA DI CROSSOVER	3 kHz
ANGOLO DI COPERTURA:	90° orizzontale x 60° verticale (diffusore singolo installato orizzontalmente)
CORPO	Polistirene ad alta densità
GRIGLIA FRONTALE	Acciaio Inox
ACCESSORI DI MONTAGGIO	Acciaio Inox
DIMENSIONI (l x h x p)	190 x 220 x 250 mm
COLORE	Nero / Bianco
PESO	3 kg

**WICHTIGE HINWEISE:**

Bevor Sie dieses Gerät in Betrieb nehmen, lesen Sie die Bedienungsanleitung bitte sorgfältig durch und halten Sie diese zur weiteren Einsichtnahme bereit. Die Bedienungsanleitung sollte als wesentlicher Bestandteil dieses Produkts verstanden werden und sollte diesem auch dann beiliegen, wenn das Gerät den Besitzer wechselt, um eine korrekte Installation und Benutzung zu gewährleisten sowie um als Referenz für alle notwendigen Sicherheitsvorkehrungen zu dienen. Eine unsachgemäße Installation und/oder Benutzung dieses Produkts befreit RCF S.p.A. von jeglicher Haftung.

ACHTUNG: Um die Gefahr eines Brandes oder eines Stromschlags auszuschließen, setzen Sie den Lautsprecher niemals Regen, Feuchtigkeit oder Staub aus, es sei denn, dieser wurde ausdrücklich für diesen Einsatzzweck entwickelt und gefertigt und weist den entsprechenden IP-Schutzgrad auf (dieser ist den Produktspezifikationen zu entnehmen).

SICHERHEITSHINWEISE

1. Alle Anweisungen, im Besonderen die sicherheitsrelevanten, müssen mit besonderer Aufmerksamkeit gelesen werden, da sie entscheidende Informationen enthalten.
2. An Lautsprecherleitungen (bzw. Verstärkerausgängen) liegt eine ausreichend hohe Spannung an (100 V), um einen tödlichen Stromschlag zu verursachen. **Schließen Sie den Lautsprecher niemals an oder installieren Sie diesen, wenn Spannung an seiner Leitung anliegt.**
3. Stellen Sie vor dem Einschalten sicher, dass alle Anschlüsse korrekt vorgenommen wurden und dass die Eingangsspannung des Lautsprechers (bei Systemen mit Konstantspannung) oder seine Impedanz auf die des anliegenden Verstärkerausgangs abgestimmt ist.
4. Schützen Sie das Lautsprecherkabel vor Beschädigungen. Stellen Sie sicher, dass dieses so positioniert wird, dass nicht darauf getreten oder es von Gegenständen eingedrückt werden kann.
5. Stellen Sie sicher, dass keine Gegenstände oder Flüssigkeiten ins Innere des Geräts gelangen können, da dies zu einem Kurzschluss führen kann.
6. Versuchen Sie niemals das Gerät auf eine Weise einzusetzen oder Modifikationen und Reparaturen an diesem durchzuführen, die nicht ausdrücklich in dieser Bedienungsanleitung beschrieben werden. Kontaktieren Sie Ihr autorisiertes Service-Center oder qualifiziertes Fachpersonal, sollte eines der folgenden Ereignisse auftreten:
 - Das Gerät funktioniert nicht (oder funktioniert nicht korrekt).
 - Das Kabel wurde beschädigt.
 - Gegenstände oder Flüssigkeiten sind ins Innere des Geräts gelangt.
 - Der Lautsprecher wurde durch einen heftigen Stoß oder einen Brand beschädigt.
7. Sollte von dem Lautsprecher ein ungewohnter Geruch oder Rauch ausgehen, schalten Sie diesen unverzüglich aus und trennen Sie das Anschlusskabel.

WICHTIGE HINWEISE**ACHTUNG**

8. Verbinden Sie das Produkt nur mit dafür vorgesehenen Geräten und Zubehörteilen.

Nutzen Sie für eine hängende Installation ausschließlich die vorgesehenen Verankerungspunkte und versuchen Sie nicht, das Produkt mit für diesen Zweck ungeeigneten Montageelementen zu befestigen. Prüfen Sie zudem die Eignung der Stützfläche (Wand, Decke, Struktur etc.) und des Befestigungsmaterials (Dübel, Schrauben, Winkel etc., nicht im Lieferprogramm von RCF), um eine langfristige Sicherheit des Systems sowie seiner Installation zu gewährleisten. Berücksichtigen Sie dabei beispielsweise auch die mechanischen Vibrationen, die gewöhnlich von einem akustischen Wandler ausgehen.

9. RCF S.p.A. empfiehlt nachdrücklich, die Installation dieses Geräts ausschließlich von qualifiziertem Fachpersonal (oder spezialisierten Firmen) durchführen zu lassen, die eine korrekte Installation sicherstellen und diese gemäß der geltenden Bestimmungen zertifizieren können.

Das gesamte Beschallungssystem muss den geltenden Standards und Vorschriften für elektrische Anlagen entsprechen.

10. Bei der Installation einer professionellen Beschallungsanlage müssen neben rein akustischen Parametern (wie etwa Schalldruck, Abdeckungswinkel, Frequenzgang etc.) einige mechanische und elektrische Faktoren beachtet werden.

11. GEHÖRSCHÄDIGUNG

Die Einwirkung hoher Lautstärkepegel kann zu dauerhaften Gehörschädigungen führen. Der Schalldruckpegel, der zu einer Schädigung des Gehörs führt, unterscheidet sich von Person zu Person und ist von der Dauer der Einwirkung abhängig. Um potentielle Gefahren durch hohe Schalldruckpegel zu vermeiden, sollte jeder, der diesen Pegeln ausgesetzt ist, einen geeigneten Gehörschutz verwenden. Beim Einsatz eines leistungsfähigen Schallerzeugers, der hohe Lautstärkepegel erzeugt, ist es erforderlich Gehörschutzstöpsel oder Ohrenschützer zu tragen.

12. Um eine korrekte Musikwiedergabe zu gewährleisten, ist die Phasenlage der Lautsprecher zu berücksichtigen (so auch die Polarität der Verstärker beim Anschluss der Lautsprecher). Dies ist entscheidend, wenn Lautsprecher nebeneinander aufgestellt werden, zum Beispiel innerhalb eines Raums.

13. Um das Auftreten von Induktionseffekten, wie Brummen, oder Störgeräusche und Fehlfunktionen zu vermeiden, platzieren Sie die Lautsprecherkabel nicht in der Nähe von Netzstromkabeln oder Lautsprecherleitungen.

14. Die Leiter des Lautsprecherkabels müssen einen angemessenen Querschnitt (wenn möglich verdrehte Drähte zur Minimierung induktiver Effekte, die von umliegenden elektromagnetischen Feldern erzeugt werden) sowie eine ausreichende elektrische Isolierung aufweisen.

SICHERHEITSMASSNAHMEN FÜR DEN BETRIEB

- Installieren Sie den Lautsprecher nicht in der Nähe von Wärmequellen.
- Überlasten Sie das Gerät nicht über einen längeren Zeitraum.
- Forcieren Sie nicht die Bedienelemente (Tasten, Kontrollvorrichtungen, usw.).
- Vermeiden Sie bei der Reinigung der Außenteile den Gebrauch von Lösungsmitteln, Alkohol, Benzin oder anderen flüchtigen Substanzen.
- Bei Verwendung des Lautsprechers in einer ausgesprochen kühlen Umgebung: Betreiben Sie diesen für 5 - 10 Minuten mit einem geringen Ausgangspegel, bevor Sie den Lautsprecher mit maximaler Leistung nutzen.

SICHERHEITSMASSNAHMEN FÜR DEN BETRIEB

**R.C.F S.P.A. DANKT IHNEN FÜR DEN KAUF DIESES PRODUKTS,
DAS AUF HÖCHSTE ZUVERLÄSSIGKEIT UND LEISTUNGSFÄHIGKEIT
AUSGELEGT IST.**

BESCHREIBUNG



Der MQ 80P ist ein horngeladenes 2-Wege-Lautsprechersystem der Monitor Q-Serie. Seine hohe Qualität, hohe Effizienz und kompakte Bauweise machen es zur idealen Lösung für eine detailgetreue Sprach- und Musikwiedergabe in mittelgroßen Beschallungsumgebungen. Es eignet sich gleichermaßen für Sprachdurchsagen und Hintergrundmusik.

Dank seiner Richtwirkung von 90° x 60°, kann der MQ 80P in Clustern von zwei oder drei Lautsprechern kombiniert werden, um eine breite und gleichmäßige Abdeckung zu erzielen und dabei die Anzahl von Installationspunkten zu reduzieren.

Es eignet sich sowohl für Innen- als auch (nach Abdichten der Reflexports) für Außenanwendungen (IP 55). Der Tieftöner (Woofer) im High-Excursion-Design verfügt über eine mit Epoxidharz beschichtete Papiermembran mit Gummisicke und ist in einem speziell abgestimmten Gehäuse untergebracht. (Die Ports können zur Aufstellung im Freien dicht verschlossen werden.)

Der Hochtöner (Tweeter) ist ein horngeladener Kompressionstreiber mit Phase-Plug. Die einzigartige Halterung des Lautsprechers ermöglicht mit ihren variablen Befestigungspunkten und Ausrichtungsmöglichkeiten eine schnelle und einfache Installation. Die elektrischen Anschlüsse werden mittels eines zweiadrigen Kabels durchgeführt.

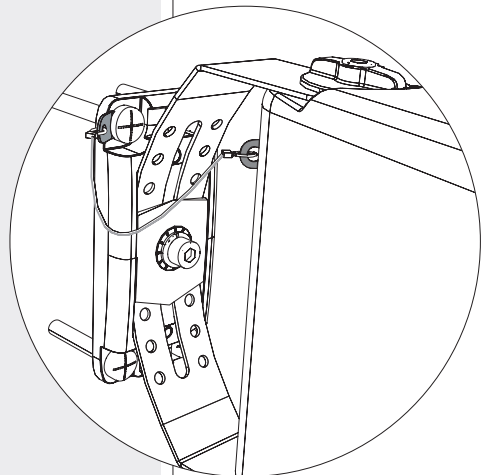
Die Ausgangsleistung (sowie der 8-Ohm-Betrieb) können mithilfe eines Drehschalters ausgewählt werden, der unter einer dichten Abdeckung untergebracht ist.

Das Gehäuse besteht aus hochverdichtetem, UV-beständigem Polystyrol und verfügt über ein Edelstahl-Frontgitter. Das MQ 80P ist in zwei Farben erhältlich: Weiß (MQ 80P-W), Schwarz (MQ 80P-B).

INSTALLATIONSHINWEISE



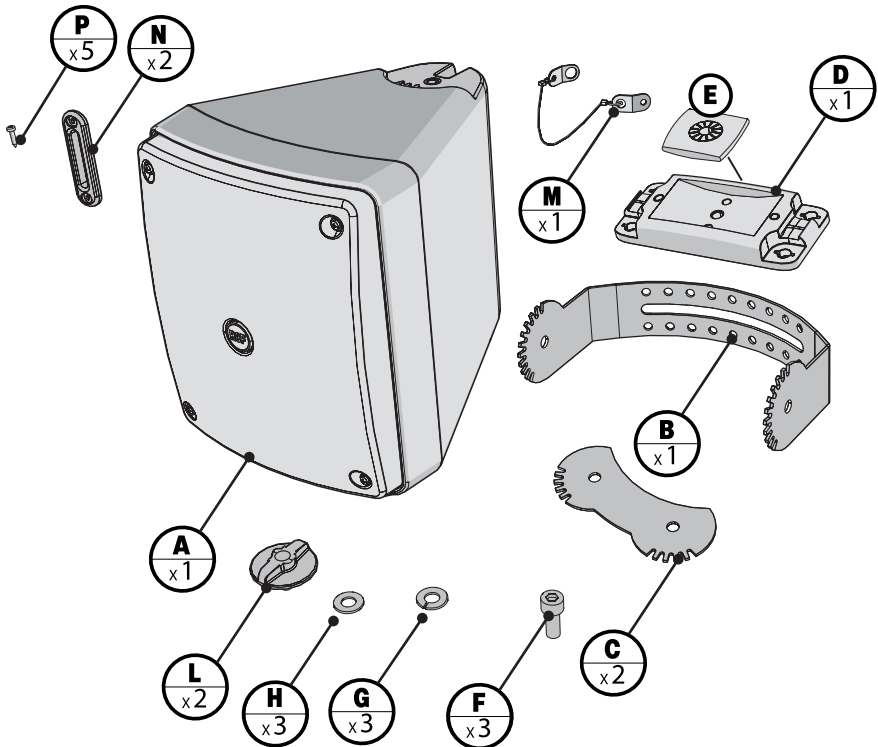
Die Lautsprecher müssen von fachkundigem Personal unter Berücksichtigung aller Sicherheitsstandards installiert werden. Dabei ist eine sichere Befestigung zu gewährleisten. Es wird dringend empfohlen zu prüfen, ob die Montagefläche (Gipskartonplatten / Holzpaneele) über die nötigen mechanischen Eigenschaften verfügt, um das Gewicht des Lautsprechers zu tragen. So kann das Herunterfallen des Lautsprechers verhindert und Verletzungen oder Sachschäden ausgeschlossen werden. Sichern Sie die Lautsprecher mit Sicherheitsfangseilen (aus Stahl). Verwenden Sie für die jeweiligen Wände / Decken geeignete Befestigungsmaterialien (z.B. Dübel für Mauerwerk, Betondübel etc.)





- **A** Lautsprecher MQ 80P
- **B** U-Bügel
- **C** Verbindungsplatte (2 x)
- **D** Komplettes Befestigungszubehör
(inkl. Bolzen) für den U-Bügel +
- **E** Kunststoffplatte
- **F** Bolzen (3x)
- **G** Federring (3x)
- **H** Unterlegscheibe (3x)
- **L** Rändelknopf (3x)
- **M** Sicherheitsfangseil
- **N** Abdeckung für Reflex-Ports (2x)
- **P** Schrauben (5x)

EINE BOHRSCHABLONE BEFINDET SICH AM ENDE DIESER
BEDIENUNGSANLEITUNG.

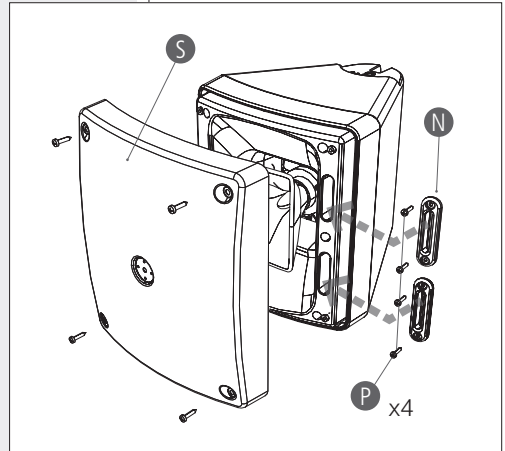


INNEN-/ AUSSENANWENDUNG



Standardmäßig ist der MQ 80P Bassreflex-Lautsprecher für Anwendungen im Innenbereich ausgelegt. Er kann jedoch auch im Freien oder in feuchten Umgebungen verwendet werden (gem. Schutzart: IP 55), wenn der Lautsprecher als geschlossene Box angepasst wird:

- Nehmen Sie das Lautsprechergitter **S** ab, indem Sie die vier Schrauben entfernen.
- Verschieben Sie die zwei Reflex-Ports mithilfe der beiden mit Gummi abgedichteten Stöpsel **N** und fixieren Sie diese mit jeweils zwei Gewindegewindeschrauben **P**.
- Bringen Sie dann das Lautsprechergitter wieder an.



INSTALLATION EINES EINZELNEN LAUTSPRECHERS

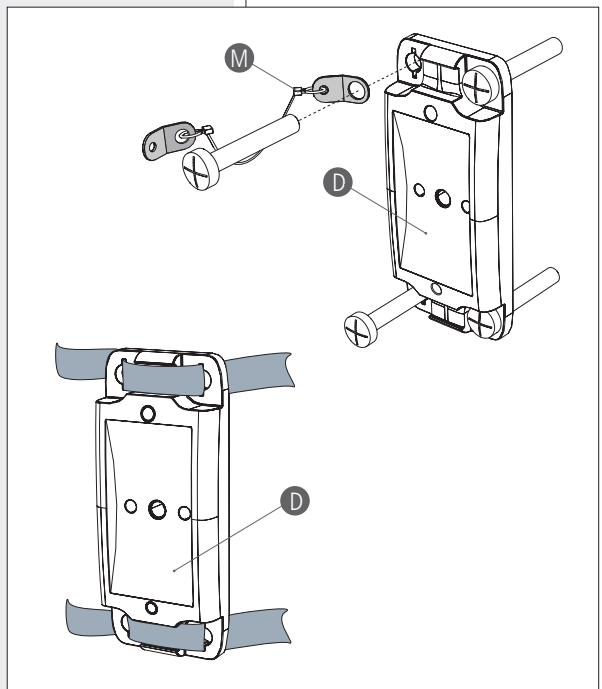


Ein einzelner Lautsprecher kann entweder horizontal (Abstrahlwinkel: 90° horizontal x 60° vertikal) oder vertikal (Abstrahlwinkel: 60° horizontal x 90° vertikal) ausgerichtet an einer Wand installiert werden.

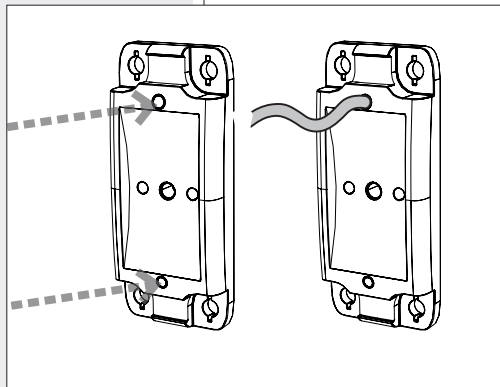
Befestigen Sie zuerst das Montagezubehör **D** mit vier M8-Schrauben an der Wand (nicht im Lieferumfang enthalten; passende Schrauben sind abhängig von der Wandbeschaffenheit zu wählen).

Befestigen Sie das Sicherheitsstahlseil **M** mithilfe der Befestigungsschraube am Montagezubehör.

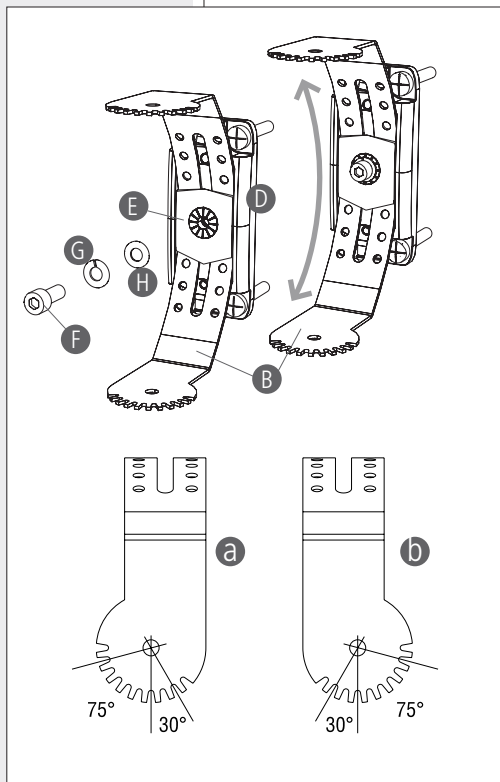
Wird der Lautsprecher vertikal installiert, kann das Montagezubehör **D** auch an einer



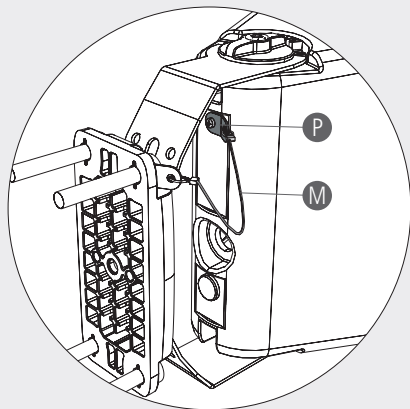
Stange befestigt werden. Verwenden Sie hierzu zwei Edelstahlbänder (je eines oben und unten) mit einer Breite von 13 mm (oder $\frac{1}{2}'' \approx 12,7$ mm). Das Lautsprecherkabel (Länge: 1 m) kann durch den U-Bügel und eine Öffnung im Montagezubehör (durch Eindrücken einer der beiden Punkte, siehe Abbildung) geführt werden um möglichst direkt in der Wandnische / dem (wetterfesten) Unterputzeinbaukasten hinter der Wandhalterung zu verlaufen. So kann der sichtbare Teil des Kabels reduziert und eine wetterfeste elektrische Verbindung gewährleistet werden.



Bringen Sie den U-Bügel **B** am Montagezubehör **D** an und wählen Sie einen geeigneten horizontalen Ausrichtungswinkel ($\pm 30^\circ$; jedes Loch entspricht einem $7,5^\circ$ Schritt). Fixieren Sie die Halterung dann durch Festziehen des Bolzens **F**, den Sie durch die Kunststoffplatte **E** die Unterlegscheibe **H** und den Federring **G** führen.

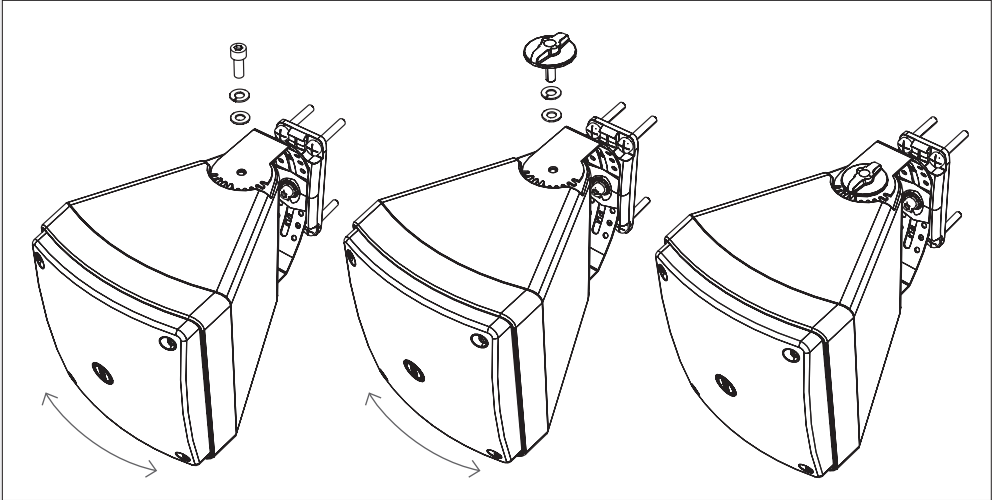


Der U-Bügel ermöglicht (im Falle einer vertikalen Montage) eine horizontale Ausrichtung des Lautsprechers von 30° nach rechts / 75° nach links (Abbildung **a**) oder von 75° nach rechts / 30° nach links (Abbildung **b**), abhängig von der Orientierung der Halterung. Jeder Schritt entspricht etwa 15° .



Verwenden Sie eine Schraube **P**, um das Sicherungsfangseil **M** zu befestigen (wie in der Abbildung dargestellt).

Setzen Sie den Lautsprecher in die Halterung ein, richten Sie diesen aus und fixieren Sie ihn (oben und unten) mit den beiden Rändelknöpfen **L** oder mit zwei Bolzen **F**, jeweils mit Unterlegscheibe **H** und Federring **G**. Bei Installationen in Innenräumen wird dringend die Verwendung der Bolzen **F** empfohlen.



2ER-LAUTSPRECHER-CLUSTER

HINWEIS: AUS SICHERHEITSGRÜNDEN SOLLTE DAS CLUSTER AUSSCHLIESSLICH HORIZONTAL ANGEORDNET WERDEN (DURCH ZUSAMMENSTELLEN VON ZWEI VERTIKAL AUSGERICHTETEN LAUTSPRECHERN).



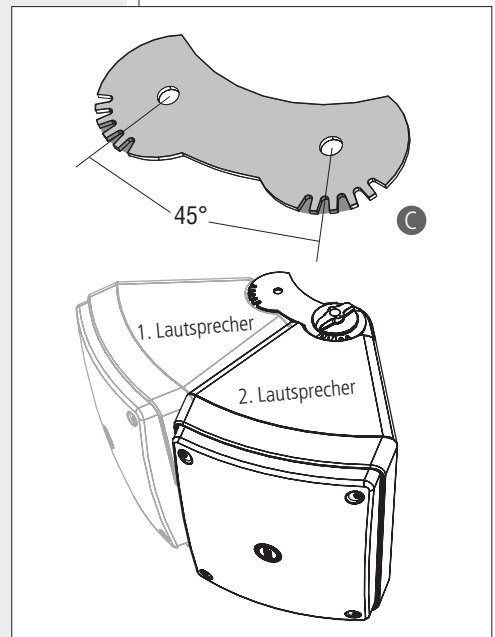
Installieren Sie das Montagezubehör und den Bügel wie im vorangehenden Kapitel („Installation eines einzelnen Lautsprechers“) beschrieben.

Zur Bildung des Clusters sind zwei Verbindungsplatten **C** (je eine oben und unten) erforderlich.

Um einen optimalen Winkel von 45° zwischen den Hauptabstrahlachsen der beiden Lautsprecher (und so eine gleichmäßige Abdeckung) zu erzielen, nutzen Sie die drei Zwischenräume der Zahnung der Verbindungsplatte (in der Abbildung grau unterlegt).

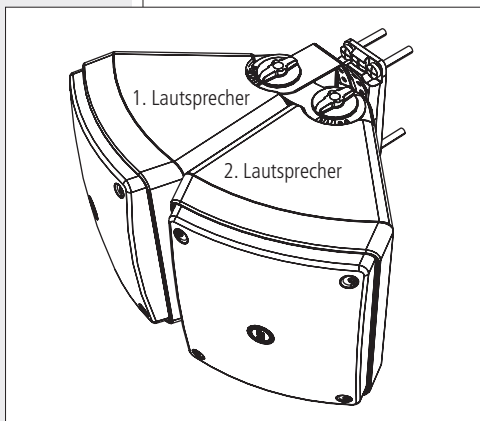
Fixieren Sie die beiden Verbindungsplatten **C** (oben und unten) durch Festziehen der Rändelknöpfe **L** oder Bolzen **F**, zunächst am zweiten Lautsprecher, der nicht direkt am U-Bügel anliegt.

Verwenden Sie stets Unterlegscheibe **H** und Federring **G**, wie zuvor beschrieben.



Befestigen Sie das Lautsprecher-Cluster am U-Bügel durch Festziehen der beiden übrigen Rändelknöpfe **L** oder Bolzen **F** am direkt anliegenden Lautsprecher sowie der Verbindungsplatte (mit dem zweiten Lautsprecher). Beachten Sie hierbei auch die horizontale Ausrichtung des Clusters.

Wenn nötig, lösen Sie die beiden Rändelknöpfe **L** oder Bolzen **F** ein wenig, um das Einsetzen des anderen Lautsprechers zwischen den beiden Verbindungsplatten zu erleichtern. (Stellen Sie anschließend sicher, dass alle Knöpfe / Bolzen fest sitzen.)



3ER-LAUTSPRECHER-CLUSTER



HINWEIS: AUS SICHERHEITSGRÜNDEN SOLLTE DAS CLUSTER AUSSCHLIESSLICH HORIZONTAL ANGEORDNET WERDEN (DURCH ZUSAMMENSTELLEN VON DREI VERTIKAL AUSGERICHTETEN LAUTSPRECHERN).



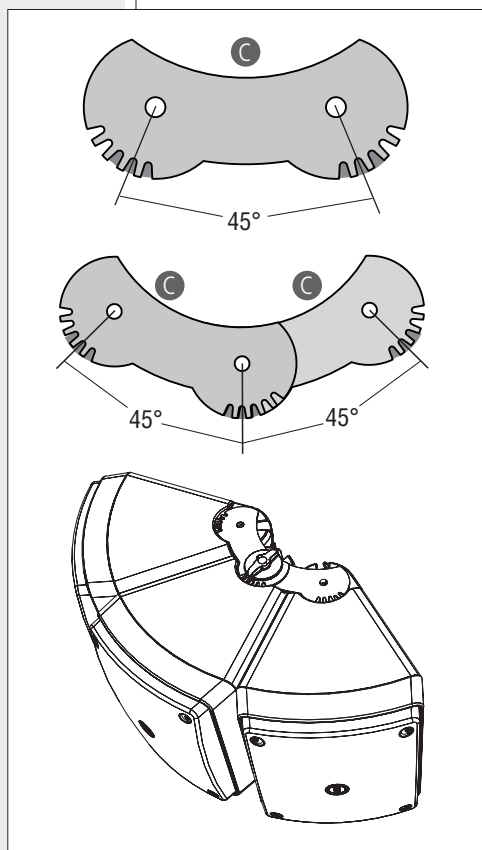
Zur Bildung des Clusters mit drei Lautsprechern sind vier Verbindungsplatten **C** (je zwei oben und unten) erforderlich.

Um einen optimalen Winkel von 45° zwischen den Hauptabstrahlachsen zweier Lautsprecher zu erzielen, nutzen Sie die drei inneren Zwischenräume der Zahnung der Verbindungsplatte (in der Abbildung grau unterlegt).

Setzen Sie zwei Verbindungsplatten zusammen, um einen Winkel von 45° zwischen dem linken und dem mittleren Lautsprecher sowie einen Winkel von 45° zwischen dem mittleren und rechten Lautsprecher zu erzielen.

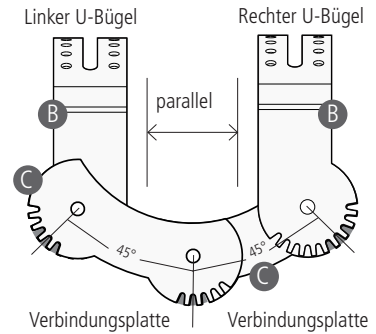
Fügen Sie die drei Lautsprecher zusammen und fixieren Sie den mittleren (und die vier Verbindungsplatten) durch Festziehen der beiden mittleren Rändelknöpfe oder Bolzen (oben und unten).

Das Cluster muss mit zwei U-Bügeln an der Wand befestigt werden. (In der beispielhaften Abbildung befindet sich der linke U-Bügel unter der Verbindungsplatte, die rechte darüber.)

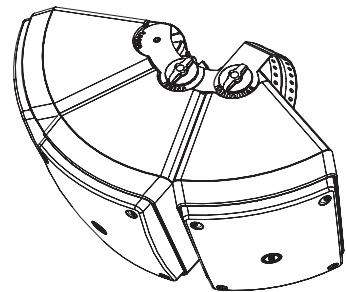


Beide U-Bügel müssen parallel zur Achse des mittleren Lautsprechers befestigt werden: Achten Sie darauf, die drei inneren Zwischenräume der Zahnung der Verbindungsplatte zu verwenden (in der Abbildung grau unterlegt).

Befestigen Sie zuerst den U-Bügel, der auf der Verbindungsplatte aufliegt (im Beispiel den rechten Bügel) und ziehen Sie die entsprechenden Rändelknöpfe oder Bolzen fest.

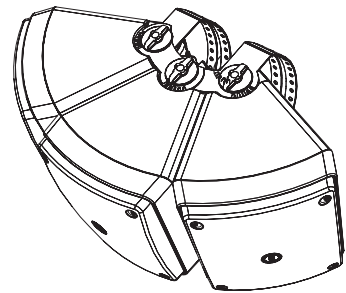


Fügen Sie dann den zweiten U-Bügel unter der Verbindungsplatte hinzu (im Beispiel den linken) und ziehen Sie die zugehörigen Rändelknöpfe oder Bolzen fest.



Lösen Sie die beiden Rändelknöpfe oder Bolzen des mittleren Lautsprechers ein wenig, um das Einsetzen des U-Bügels zu erleichtern. Stellen Sie anschließend sicher, dass alle Knöpfe / Bolzen fest sitzen.

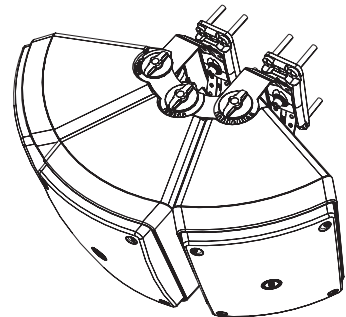
Verwenden Sie stets Unterlegscheibe (H) und Federring (G), wie zuvor beschrieben.



Das Cluster kann nun durch Festziehen der beiden Bolzen am Montagezubehör befestigt werden.

HINWEIS: BEI DER MONTAGE DER BEIDEN HALTERUNGEN AN DER WAND MUSS DER FESTE ABSTAND ZWISCHEN IHREN AXEN (CA. 117 MM) BERÜCKSICHTIGT WERDEN.

Um die Installation der beiden Halterungen zu vereinfachen, befindet sich am Ende dieser Bedienungsanleitung eine Bohrschablone. Fixieren Sie zuletzt die drei Sicherheitsfangseile, die zuvor an den entsprechenden Halterungen festgeschraubt wurden, an den Lautsprechern.





ACHTUNG: Das Anschließen der Lautsprecher sollte ausschließlich von fachkundigen und erfahrenen Personen durchgeführt werden, die über technisches Know-how und spezifische Instruktionen verfügen. So kann ein korrekter Anschluss sichergestellt und eine elektrische Gefährdung vermieden werden.

Um die Gefahr eines Stromschlags auszuschließen, verbinden Sie den Lautsprecher nicht im eingeschalteten Zustand mit dem Verstärker. Bevor Sie den Lautsprecher in Betrieb nehmen, überprüfen Sie bitte sorgfältig, ob alle Anschlüsse ordnungsgemäß vorgenommen wurden, um unbeabsichtigte Kurzschlüsse zu verhindern. Die gesamte Beschallungsanlage muss den lokal geltenden Standards und Vorschriften für elektrische Anlagen entsprechen.

Wird der Lautsprecher im Außenbereich (IP 55) installiert, müssen alle elektrischen Verbindungen in wetterdichten Gehäusen / Wandnischen untergebracht werden.

Verbinden Sie den weißen Leiter des Lautsprecherkabels mit dem 100 V (bzw. 70 V) - Ausgang des Verstärkers.

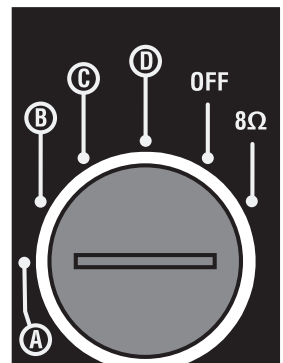
Verbinden Sie den schwarzen Leiter des Lautsprecherkabels mit dem „COM“-Ausgang (auch mit „0“, „-“ oder „b“ bezeichnet) des Verstärkers.

Der integrierte Übertrager ermöglicht einen direkten Anschluss an 100 V (bzw. 70 V)-Konstantspannungsleitungen sowie (während der Installation) die Voreinstellung der Ausgangsleistung auf 30 W, 20 W, 10 W oder 5 W (bzw. je die Hälfte für 70 V-Linien). Zudem kann eine niederohmige Verbindung (8 Ω) gewählt werden. Die Auswahl der Leistung erfolgt (mithilfe eines Schraubenziehers) über einen Drehschalter auf der Geräterückseite, der sich unter einer abnehmbaren Gummiabdeckung befindet.

Bringen Sie die Gummiabdeckung nach Auswahl der Ausgangsleistung wieder über dem Drehschalter an.



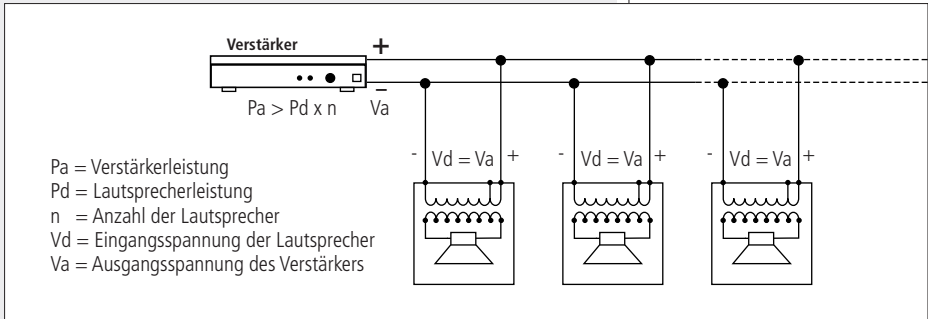
A	5 W (100 V)	2,5 W (70 V)
B	10 W (100 V)	5 W (70 V)
C	20 W (100 V)	10 W (70 V)
D	30 W (100 V)	15 W (70 V)
OFF	deaktiviert	
8 Ω	Impedanz: 8 Ω	



HINWEISE ZU SYSTEMEN MIT KONSTANTSPANNUNG



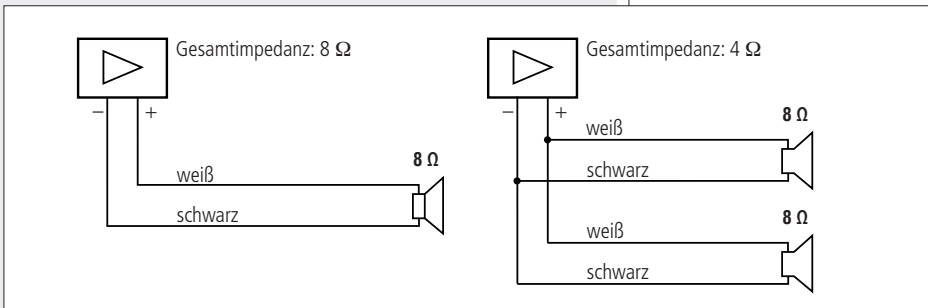
- Die Eingangsspannung jedes Lautsprechers (V_d) muss mit der Ausgangsspannung des Verstärkers (V_a) übereinstimmen.
- Die Gesamtnennleistung ($P_d \times n$) aller angeschlossenen Lautsprecher darf die Leistung des Verstärkers nicht überschreiten.
- Um eine korrekte Audiowiedergabe zu gewährleisten, müssen alle Anschlüsse phasengleich (in Phase) vorgenommen werden.



HINWEISE ZU NIEDEROHMIGEN VERBINDUNGEN



- Die Gesamtimpedanz der Lautsprecher darf nicht unterhalb der Ausgangsimpedanz des Verstärkers liegen. Hinweis: Entspricht die Gesamtimpedanz der Lautsprecher genau der Ausgangsimpedanz des Verstärkers, kann die maximale Leistung übertragen werden (eine höhere Impedanz der Lautsprecher führt jedoch zu einer geringeren Leistung).
- Die Gesamtleistung der Lautsprecher muss der maximalen Verstärkerleistung entsprechen.
- Die Lautsprecherverbindungen sollten möglichst kurz sein. (Für längere Distanzen kann es nötig sein, Kabel mit großen Leitungsquerschnitten zu verwenden.)





- Nutzen Sie stets Leitungen mit geeignetem Querschnitt unter Berücksichtigung der Kabellänge sowie der Gesamtleistung aller angeschlossenen Lautsprecher.
- Um das Aufkommen von Brummen und Störgeräuschen zu verhindern, die von induktiven Effekten verursacht werden, sollten die Lautsprecherkabel nicht in der Nähe von Netzkabeln, Mikrofonkabeln oder sonstigen Leitungen verlegt werden.
- Um induktive Effekte (Brummen) zu minimieren, die von umliegenden elektrischen Feldern ausgehen, sollten ausschließlich Lautsprecherkabel mit verdrehten Adern verwendet werden.
- Bringen Sie den Drehschalter niemals in die 8Ω - Position, wenn der Lautsprecher an einer Leitung mit Konstanzspannung (70 - 100 V) betrieben wird.

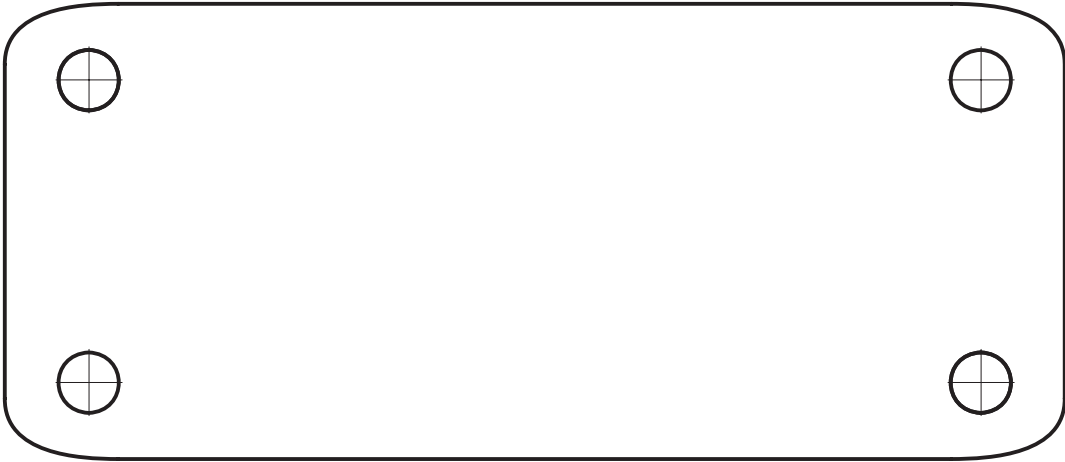
TECHNISCHE DATEN



Lautsprechertyp	2-Wege Bass-Reflex (Innenanwendungen) Abgedichteter Zweibege-Lautsprecher (Außenanwendungen, IP 55) durch Einsetzen der mitgelieferten Schutzstöpsel
Lautsprecher	Horngeladener 5" Woofer (Tieftöner) mit kontrollierter Richtwirkung Horngeladener 1" Kompressionstreiber mit kontrollierter Richtwirkung
Empfindlichkeit	94 dB (1 W, 1 m)
Max. Schalldruckpegel (@ Musikleistung)	114 dB
Leistung (Bypass)	60 W (RMS) / 120 W (Musikleistung)
Eingangsspannung	100 - 70 V
Nennimpedanz	8 Ω 333 Ω (30 W - 100 V; 15 W - 70,7 V) 500 Ω (20 W - 100 V; 10 W - 70,7 V) 1 k Ω (10 W - 100 V; 5 W - 70,7 V) 2 k Ω (5 W - 100 V; 2,5 W - 70,7 V)
Frequenzgang (-10dB)	100 Hz - 20 kHz
Trennfrequenz (Crossover)	3 kHz
Abdeckungswinkel	90° horizontal, 60° vertikal (Einzelinstallation)
Gehäusematerial	Hochverdichtetes Polystyrol
Anschlüsse	Euroblock Anschlussklemmen
Abmessungen (B, H, T)	190 mm, 220 mm, 250 mm
Farbe	Schwarz (MQ 80P-B), Weiß (MQ 80P-W)
Gewicht (netto)	3 kg



installation/installazione/installation





HEADQUARTERS:

RCF S.p.A. Italy
tel. +39 0522 274 411
e-mail: info@rcf.it

RCF UK
tel. 0844 745 1234
Int. +44 870 626 3142
e-mail: info@rcfaudio.co.uk

RCF France
tel. +33 1 49 01 02 31
e-mail: france@rcf.it

RCF Germany
tel. +49 2203 925370
e-mail: germany@rcf.it

RCF Spain
tel. +34 91 817 42 66
e-mail: info@rcfaudio.es

RCF Belgium
tel. +32 (0) 3 - 3268104
e-mail: belgium@rcf.it

RCF USA Inc.
tel. +1 (603) 926-4604
e-mail: info@rcf-usa.com

www.rcfaudio.com